



US00D963823S

(12) **United States Design Patent** (10) **Patent No.:** **US D963,823 S**
Funk et al. (45) **Date of Patent:** **** Sep. 13, 2022**

(54) **FRAGRANCE EMANATION DEVICE WITH CAR VISOR CLIP**

(71) Applicant: **Bath & Body Works Brand Management, Inc.**, Reynoldsburg, OH (US)

(72) Inventors: **Tobias Funk**, Columbus, OH (US); **Laura Maria Lees**, Blacklick, OH (US)

(73) Assignee: **Bath & Body Works Brand Management, Inc.**, Reynoldsburg, OH (US)

(**) Term: **15 Years**

(21) Appl. No.: **29/734,400**

(22) Filed: **May 12, 2020**

(30) **Foreign Application Priority Data**

Dec. 25, 2019 (CN) 201930727667.5

(51) **LOC (13) Cl.** **23-04**

(52) **U.S. Cl.**
USPC **D23/366**

(58) **Field of Classification Search**

USPC D23/332, 333, 351–369; D7/300.1, 506; D11/143, 146; D14/188, 194, 195, 197, D14/203.2, 203.6, 204, 209, 213, 215, D14/216, 221, 228; D32/30
CPC A61L 9/03; A61L 9/04; A61L 9/05; A61L 9/12; A61L 9/14; A61L 9/22; A61L 9/012; A61L 9/015; A61L 9/048; A61L 9/127; A61L 2209/133; A47G 7/06; F24F 6/02; F24F 6/12; Y10S 261/88; Y10S 261/89

See application file for complete search history.

(56) **References Cited**

U.S. PATENT DOCUMENTS

D593,670 S * 6/2009 Valentino D23/366
D629,881 S * 12/2010 Valentino D23/368
D850,597 S * 6/2019 Gobber D23/368

(Continued)

OTHER PUBLICATIONS

Bath & Body Works, “Black Soft Touch Vent Clip,” webpage, last accessed Dec. 25, 2019, available at <https://www.bathandbodyworks.com/p/black-soft-touch-vent-clip-car-fragrance-holder-022069103.html?cgid=car-fragrance#start=34>.

(Continued)

Primary Examiner — Gino Colan

Assistant Examiner — David OBrien

(74) *Attorney, Agent, or Firm* — Andrus Intellectual Property Law, LLP

(57) **CLAIM**

The ornamental design for a fragrance emanation device with car visor clip, as shown and described.

DESCRIPTION

FIG. 1 is a front perspective view of a fragrance emanation device with car visor clip according to our new and ornamental design;

FIG. 2 is a front elevation view thereof;

FIG. 3 is a rear elevation view thereof;

FIG. 4 is a left side elevation view thereof;

FIG. 5 is a right side elevation view thereof;

FIG. 6 is a top plan view thereof;

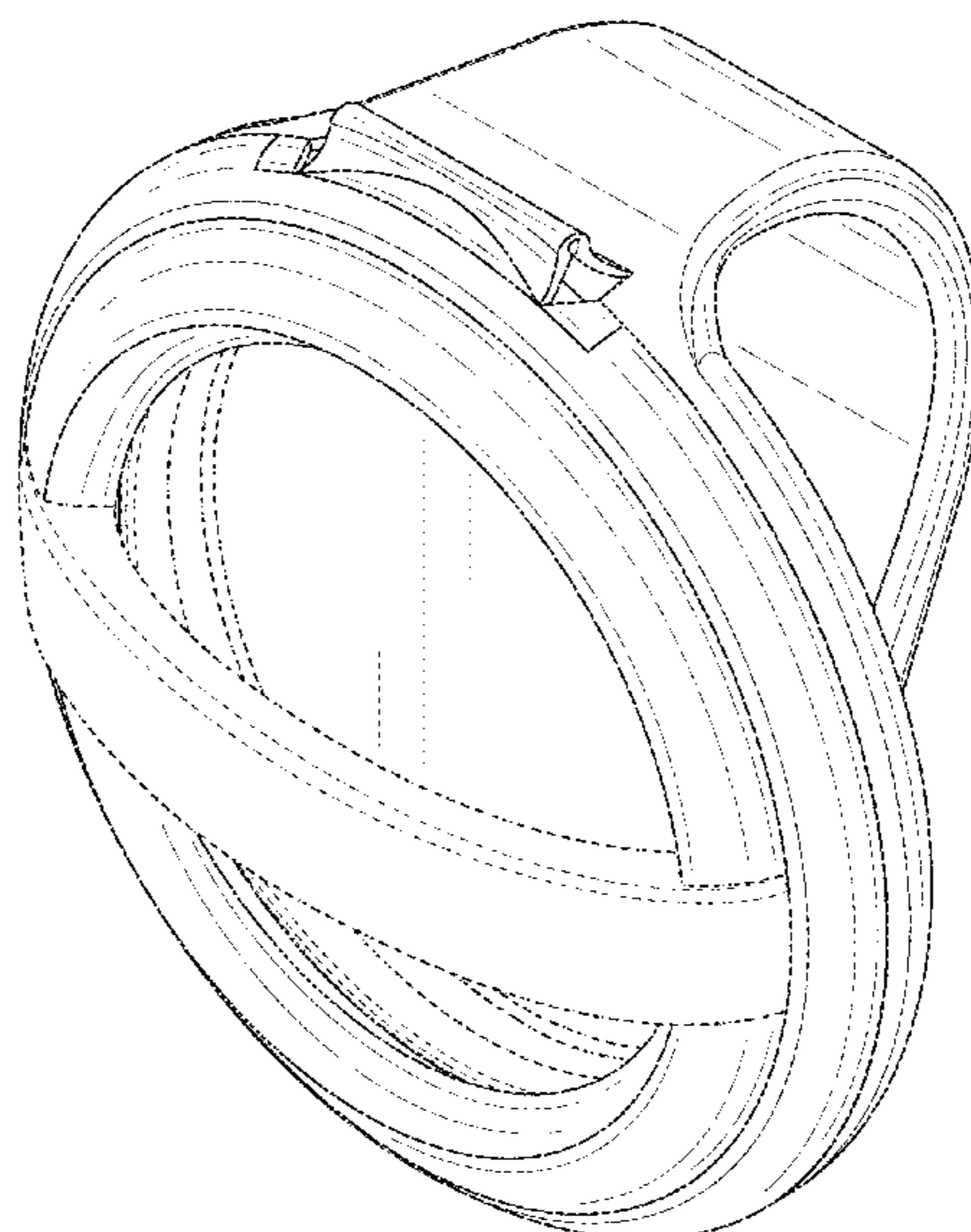
FIG. 7 is a bottom plan view thereof;

FIG. 8 is a front perspective view of the fragrance emanation device with car visor clip of FIG. 1 in an open-body configuration; and,

FIG. 9 is a right side elevation view of the fragrance emanation device with car visor clip in the open-body configuration, the left side elevation view thereof being a mirror image.

The broken lines illustrate portions of the fragrance emanation device with car visor clip that form no part of the claim.

1 Claim, 9 Drawing Sheets



(56)

References Cited

U.S. PATENT DOCUMENTS

D850,599 S * 6/2019 Gobber D23/368
D850,600 S * 6/2019 Gobber D23/368
D926,303 S * 7/2021 Cho D23/366

OTHER PUBLICATIONS

Bath & Body Works, "Black Soft Touch Visor Clip," webpage, last accessed Dec. 25, 2019, available at <https://www.bathandbodyworks.com/p/black-soft-touch-visor-clip-car-fragrance-holder-022585788.html?cgid=car-fragrance#start=33>.

Bath & Body Works, "Scentportable" 2-in-1 Fragrance Emanation Device with Car Vent and Visor Clips, available at least as early as 2017.

* cited by examiner

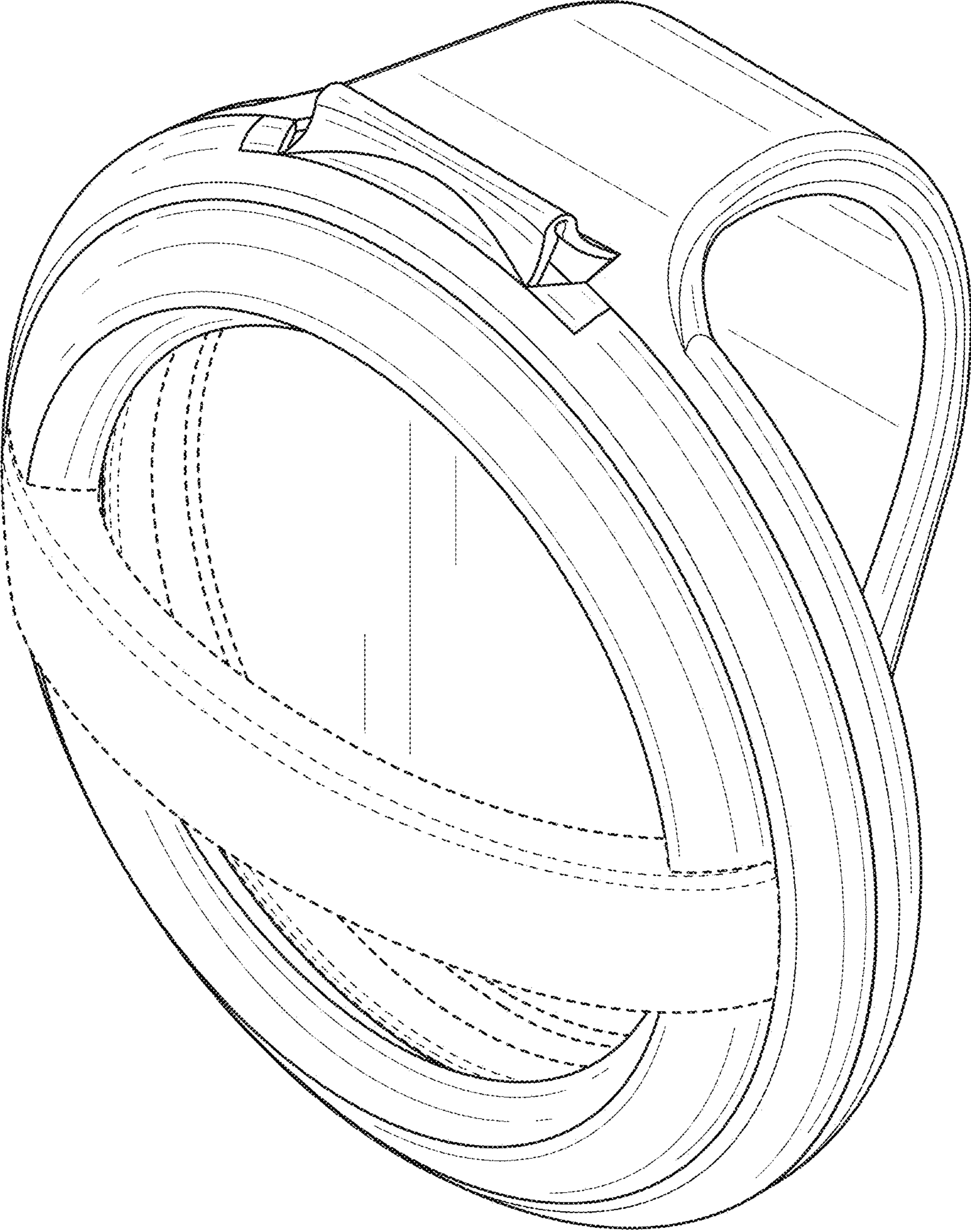


FIG. 1

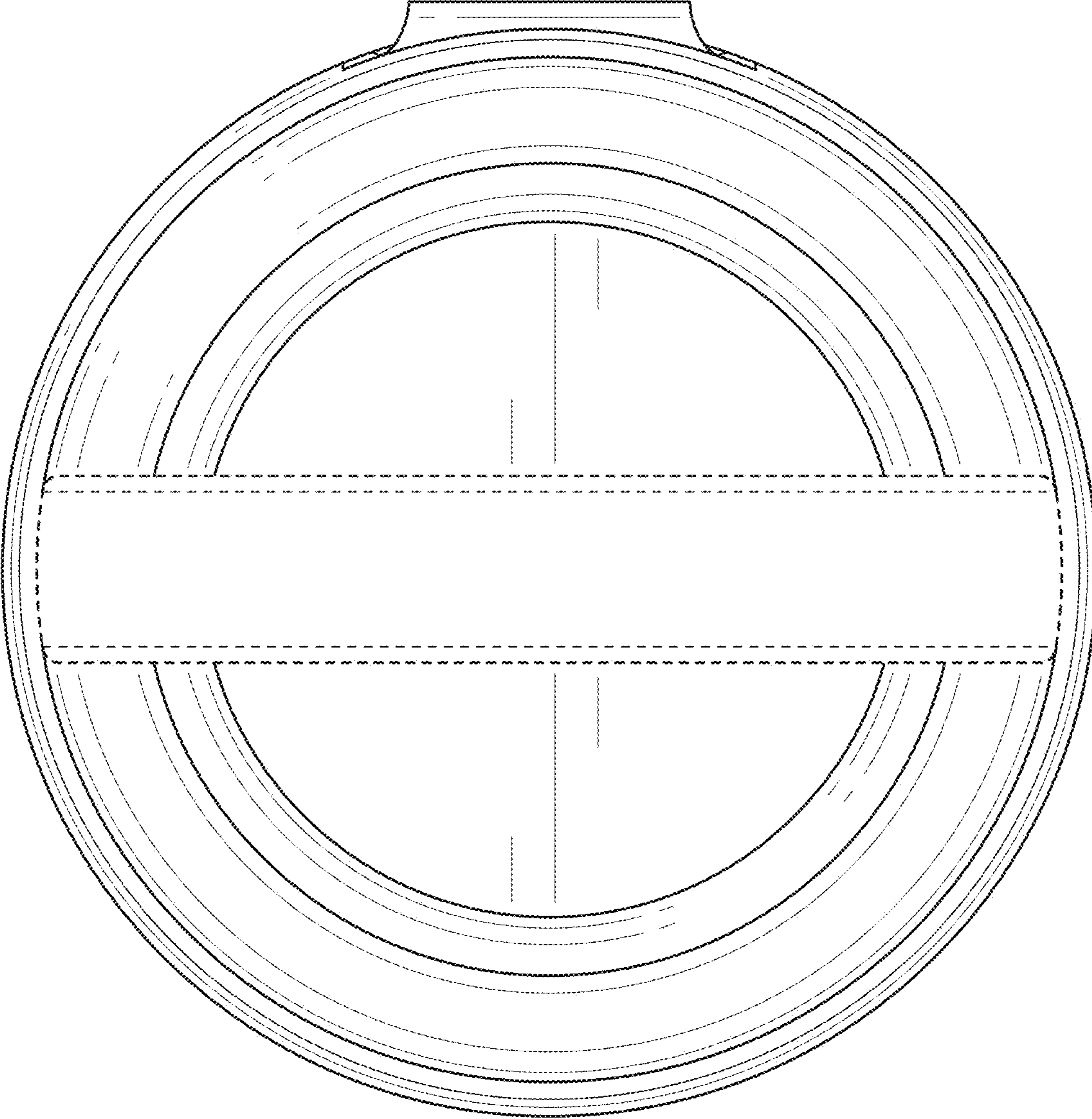


FIG. 2

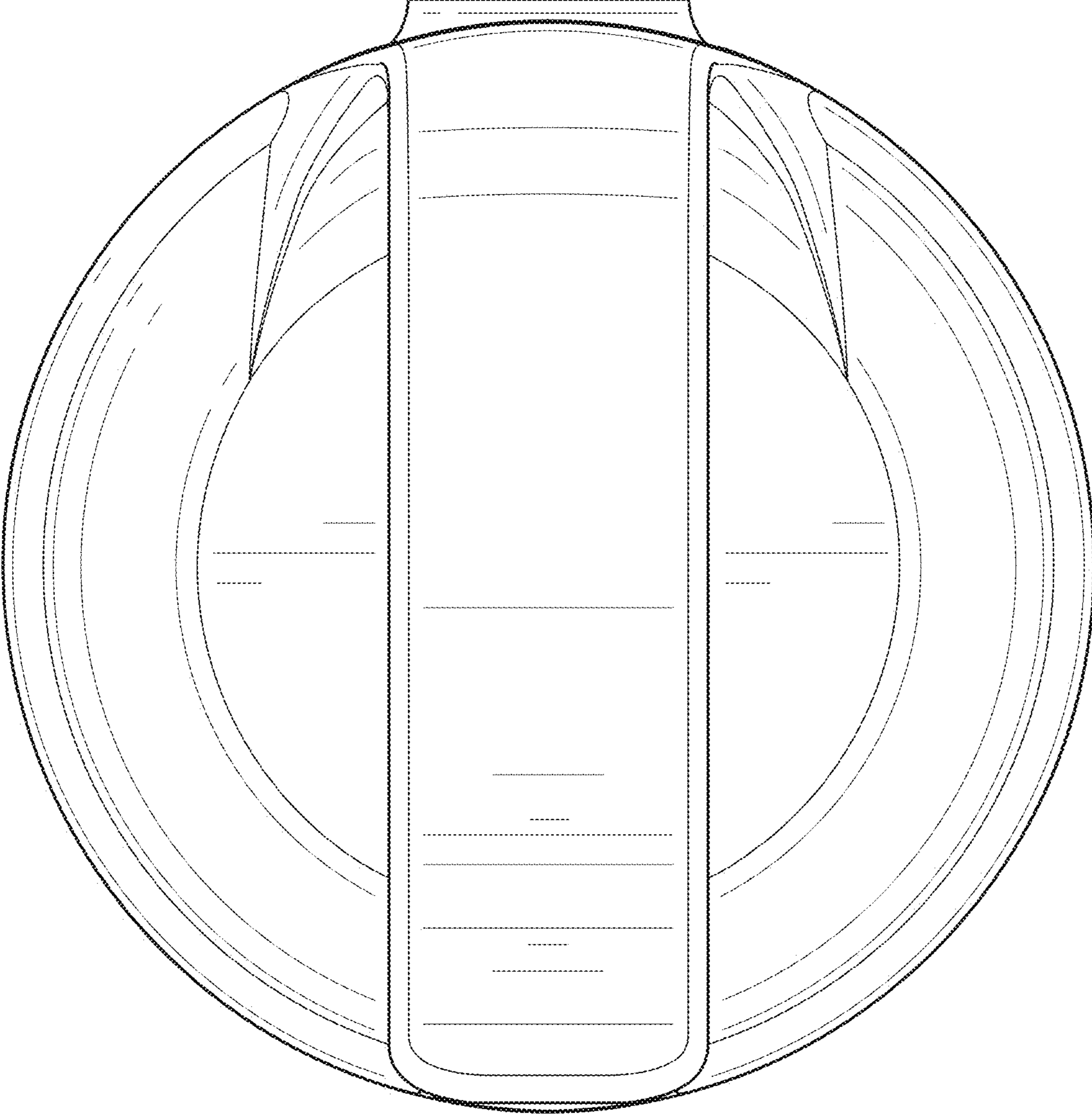


FIG. 3

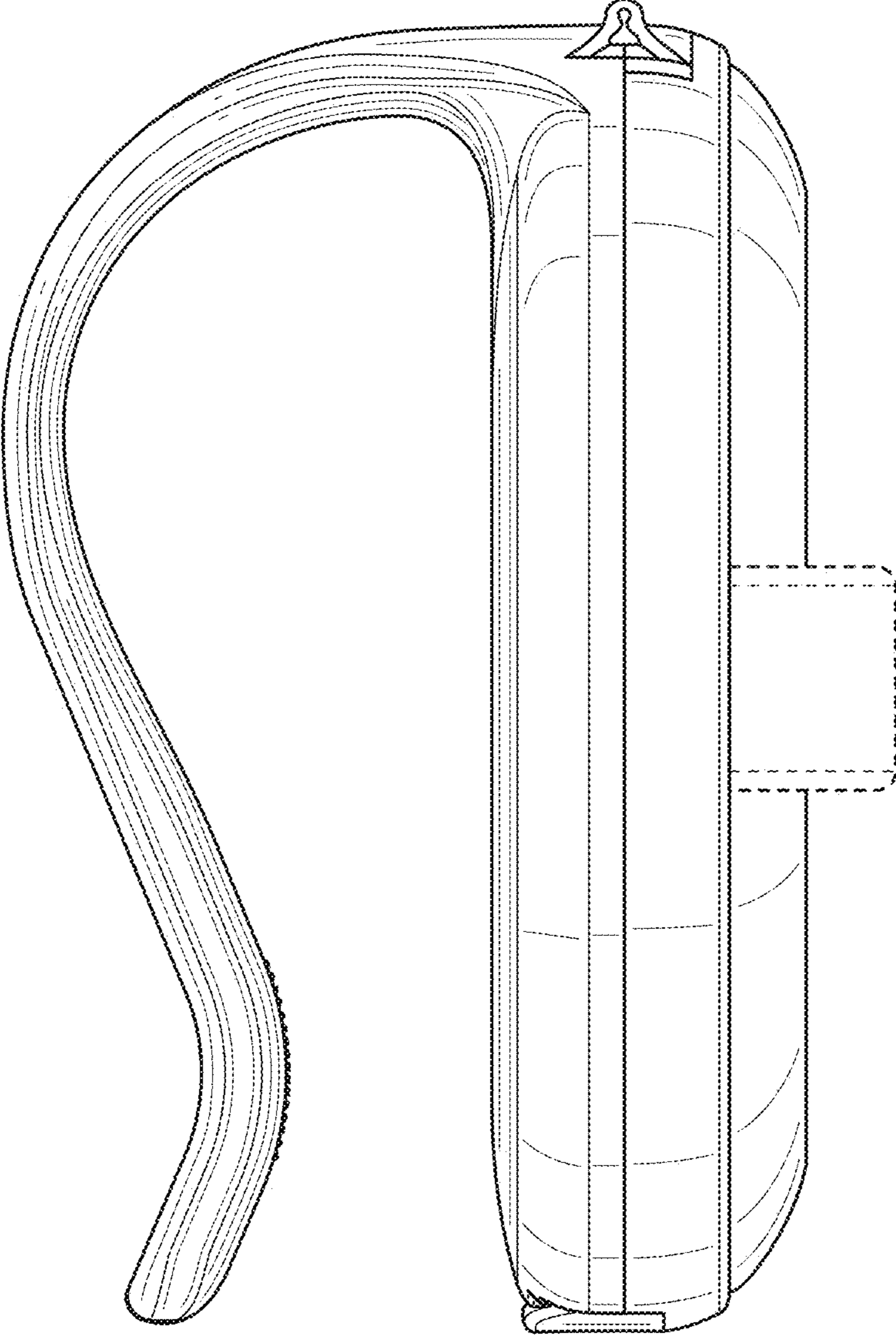


FIG. 4

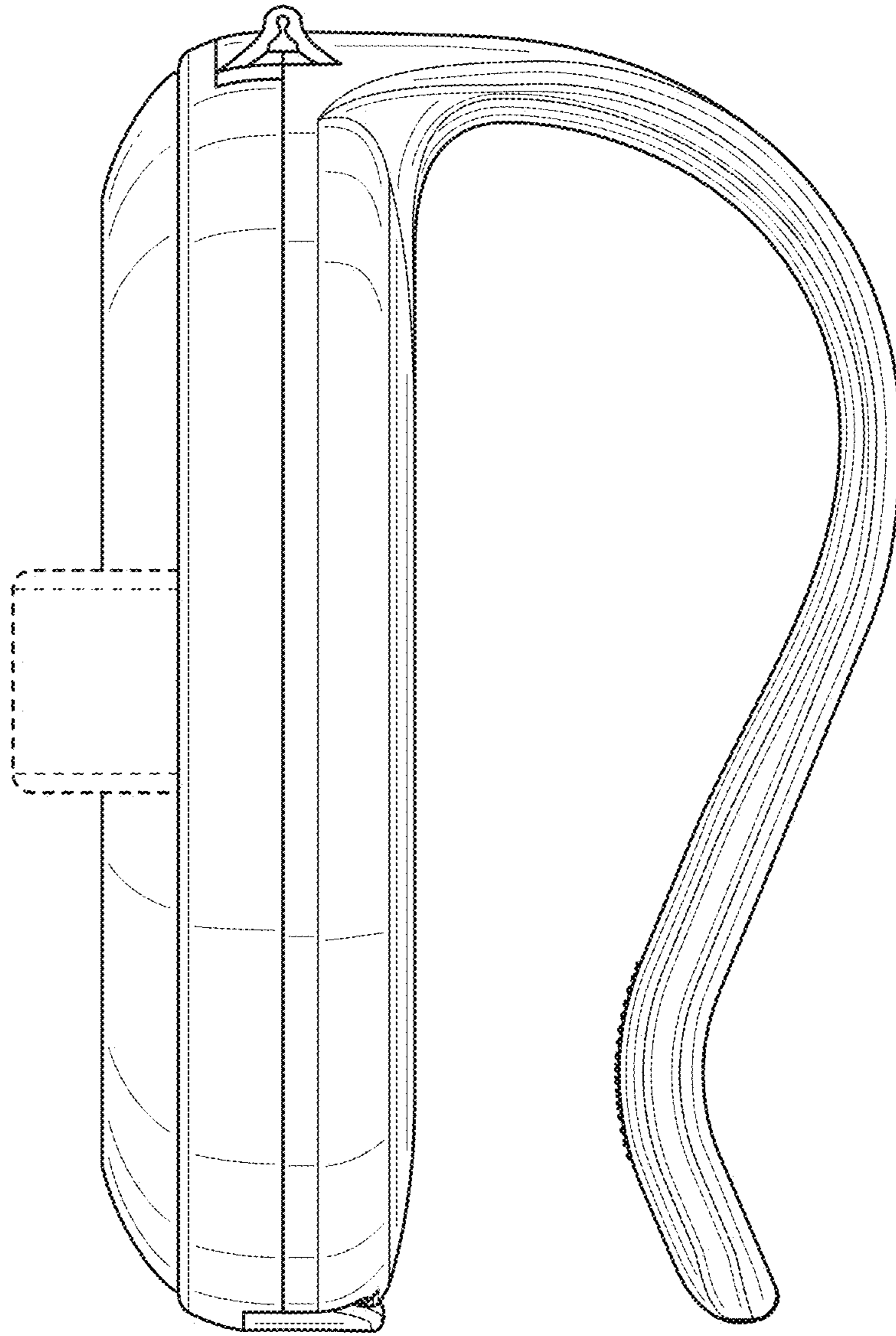


FIG. 5

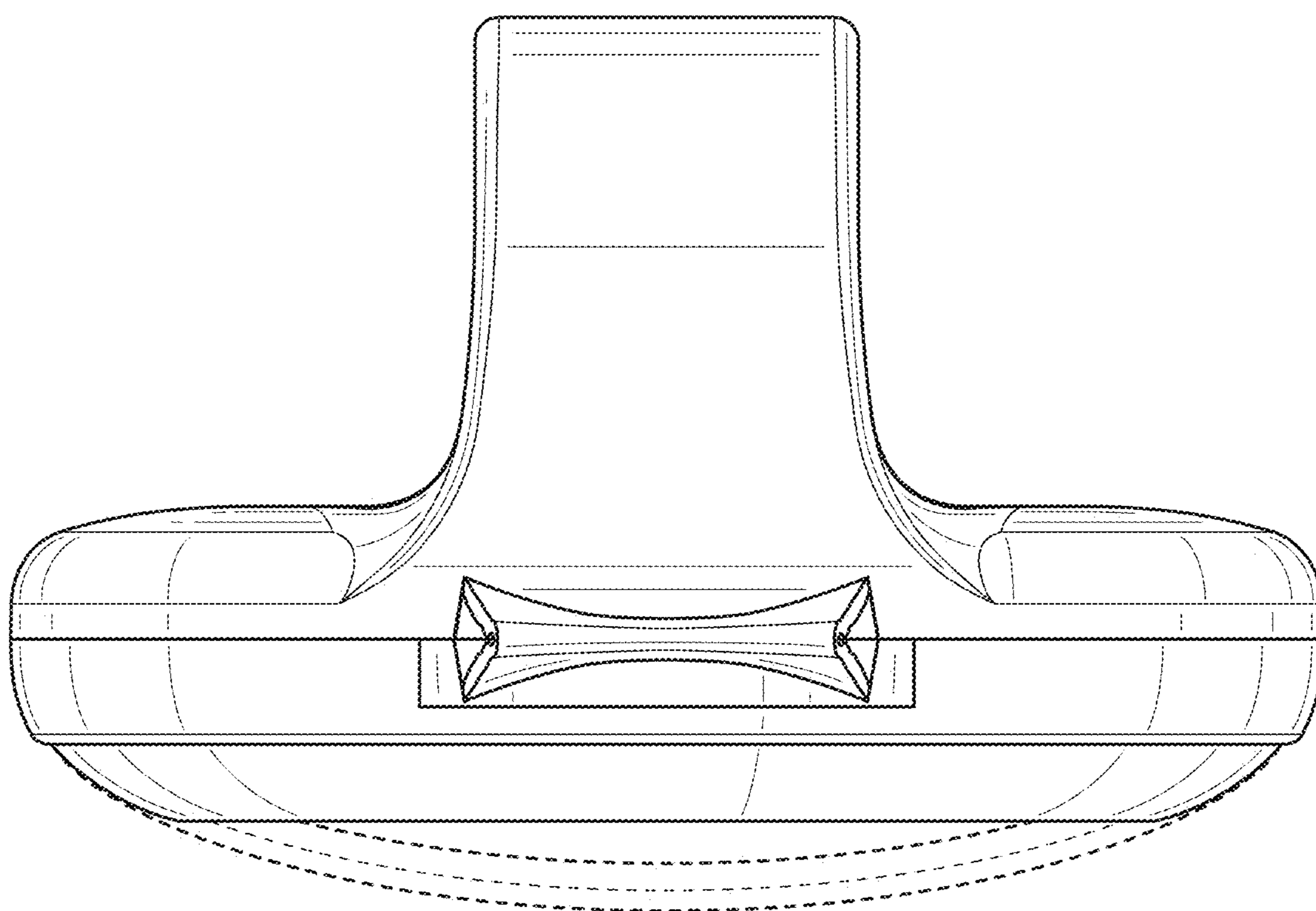


FIG. 6

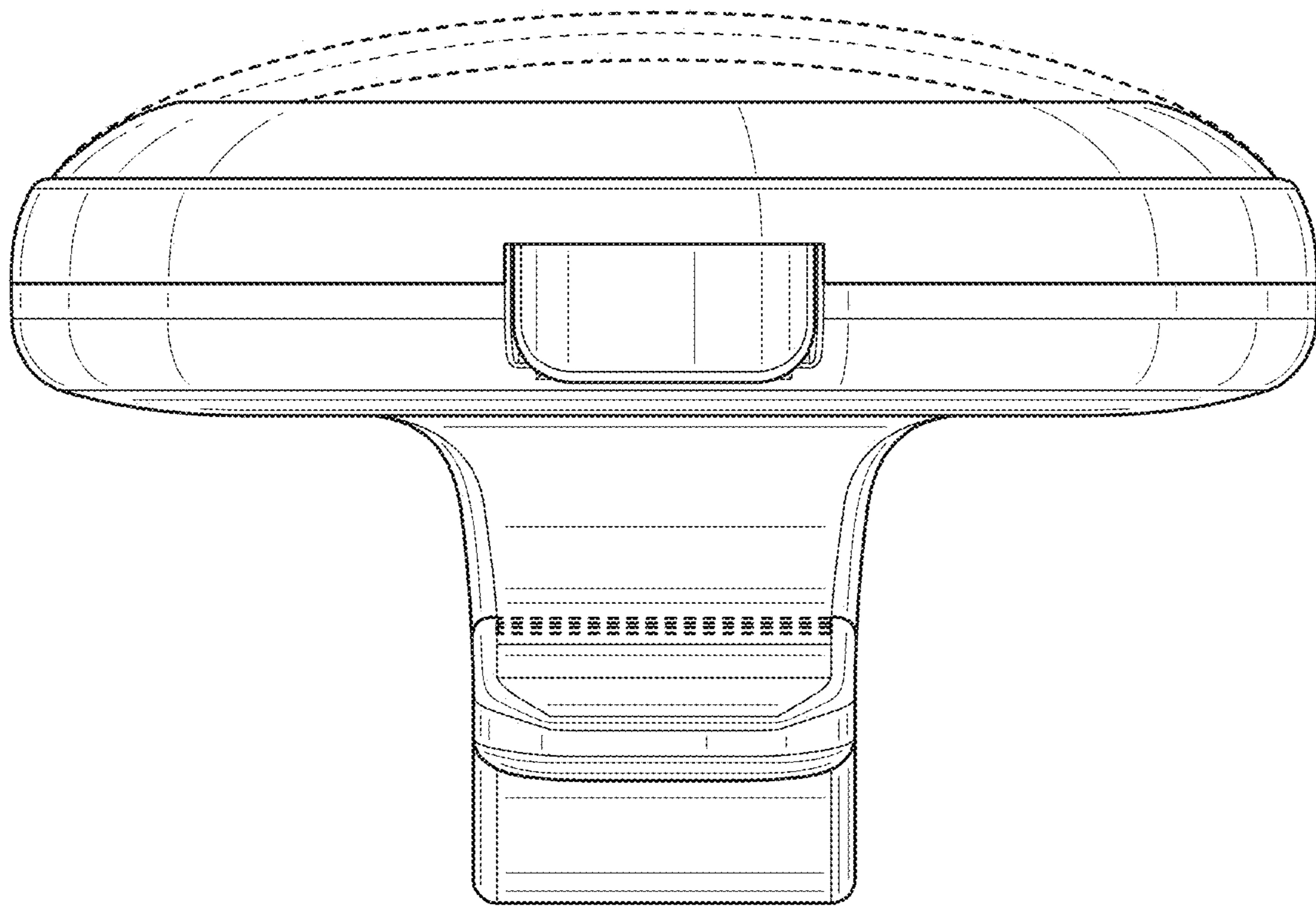


FIG. 7

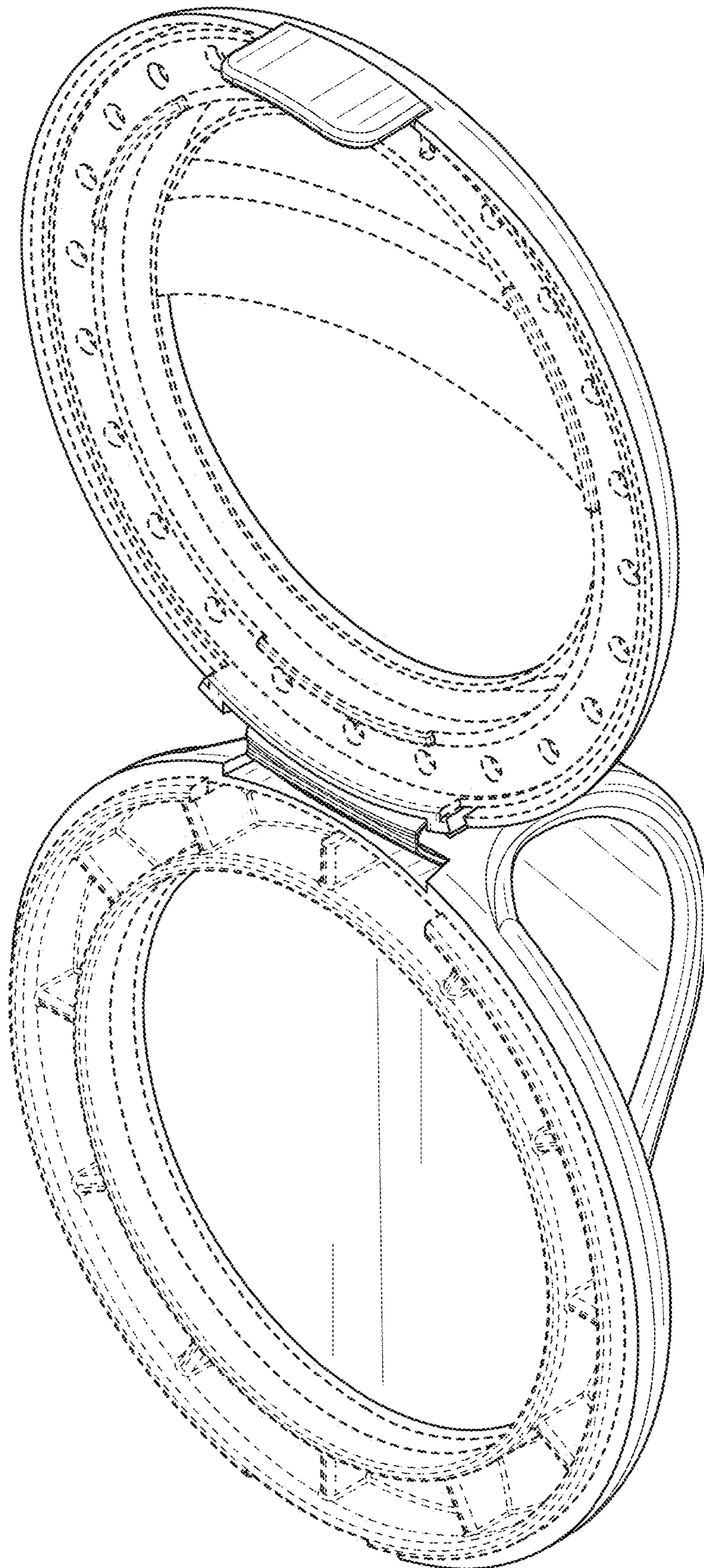


FIG. 8

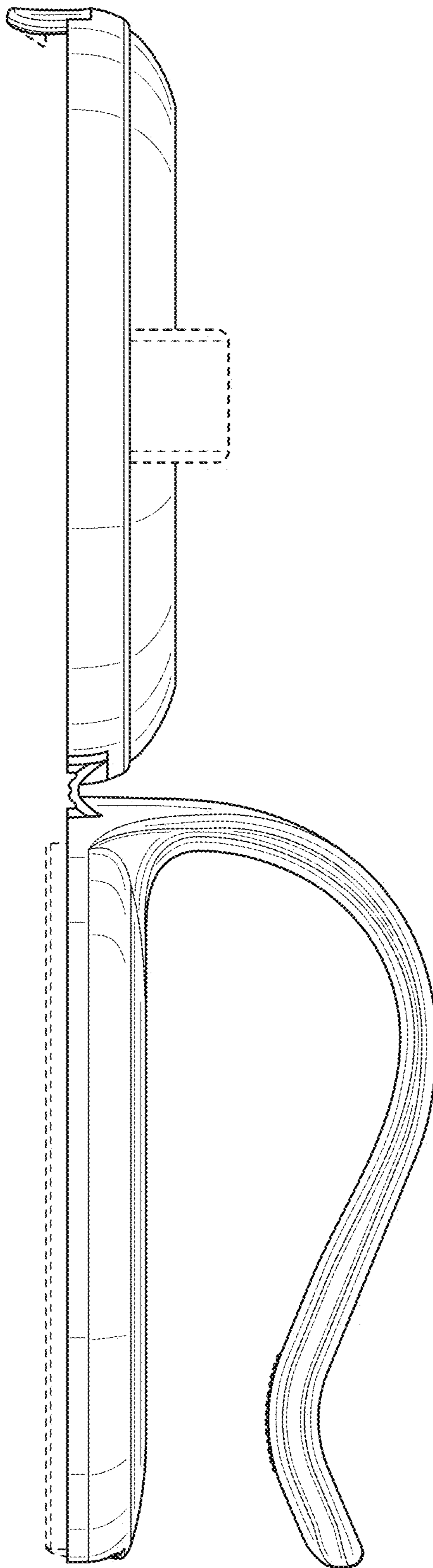


FIG. 9