



US00D963825S

(12) **United States Design Patent** (10) **Patent No.:** **US D963,825 S**  
**Funk et al.** (45) **Date of Patent:** **\*\* Sep. 13, 2022**

(54) **FRAGRANCE EMANATION DEVICE WITH CAR VENT CLIP AND VISOR CLIP**

www.bathandbodyworks.com/p/black-soft-touch-vent-clip-car-fragrance-holder-022069103.html?cgid=car-fragrance#start=34.

(Continued)

(71) Applicant: **Bath & Body Works Brand Management, Inc.**, Reynoldsburg, OH (US)

*Primary Examiner* — Gino Colan  
*Assistant Examiner* — David Obrien

(72) Inventors: **Tobias Funk**, Columbus, OH (US); **Laura Maria Lees**, Blacklick, OH (US); **Christine Wong**, Brooklyn, NY (US)

(74) *Attorney, Agent, or Firm* — Andrus Intellectual Property Law, LLP

(73) Assignee: **Bath & Body Works Brand Management, Inc.**, Reynoldsburg, OH (US)

(57) **CLAIM**

The ornamental design for a fragrance emanation device with car vent clip and visor clip, as shown and described.

(\*\*) Term: **15 Years**

**DESCRIPTION**

(21) Appl. No.: **29/734,402**

FIG. 1 is a front perspective view of a fragrance emanation device with car vent clip and visor clip according to our new and ornamental design;

(22) Filed: **May 12, 2020**

FIG. 2 is a front elevation view thereof;

(30) **Foreign Application Priority Data**

Dec. 25, 2019 (CN) ..... 201930727693.8

FIG. 3 is a rear elevation view thereof;

(51) **LOC (13) Cl.** ..... **23-04**

FIG. 4 is a left side elevation view thereof;

(52) **U.S. Cl.**

USPC ..... **D23/366**

FIG. 5 is a right side elevation view thereof;

(58) **Field of Classification Search**

USPC ..... D23/332, 333, 351–369; D7/300.1, 506; D11/143, 146; D14/188, 194, 195, 197,

FIG. 6 is a top plan view thereof;

(Continued)

FIG. 7 is a bottom plan view thereof;

(56) **References Cited**

**U.S. PATENT DOCUMENTS**

D593,670 S \* 6/2009 Valentino ..... D23/366

D613,388 S \* 4/2010 Koenig ..... D23/366

(Continued)

FIG. 8 is a front perspective view of the fragrance emanation device with car vent clip and visor clip of FIG. 1 in a visor-clip-open configuration;

FIG. 9 is a rear elevation view thereof in the visor-clip-open configuration;

FIG. 10 is a left side elevation view thereof in the visor-clip-open configuration;

FIG. 11 is a right side elevation view thereof in the visor-clip-open configuration;

FIG. 12 is a top plan view thereof in the visor-clip-open configuration;

FIG. 13 is a bottom plan view thereof in the visor-clip-open configuration;

FIG. 14 is a front perspective view of the fragrance emanation device with car vent clip and visor clip of FIG. 1 in a vent-clip-open configuration;

FIG. 15 is a rear elevation view thereof in the vent-clip-open configuration;

FIG. 16 is a right side elevation view thereof in the vent-clip-open configuration;

(Continued)

**OTHER PUBLICATIONS**  
Bath & Body Works, “Black Soft Touch Vent Clip,” webpage, admitted prior art, last accessed Dec. 25, 2019, available at <https://>

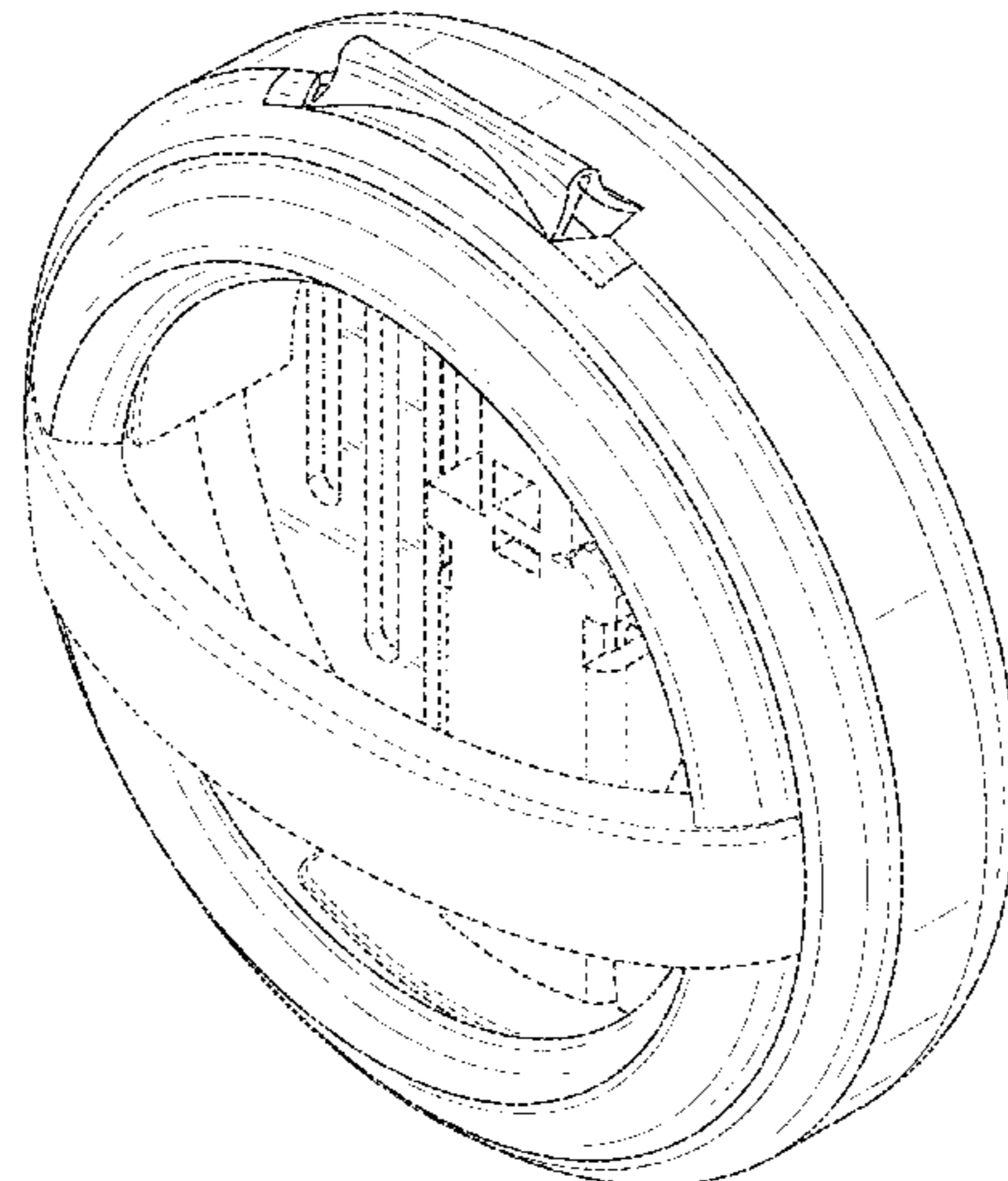


FIG. 17 is a top plan view thereof in the vent-clip-open configuration;  
FIG. 18 is a bottom plan view thereof in the vent-clip-open configuration;  
FIG. 19 is a front perspective view of the fragrance emanation device with car vent clip and visor clip of FIG. 1 in an open-body configuration; and,  
FIG. 20 is a right side elevation view thereof in the open-body configuration.  
The broken lines illustrate portions of the fragrance emanation device with car vent clip and visor clip that form no part of the claim.

**1 Claim, 20 Drawing Sheets**

(58) **Field of Classification Search**

USPC ..... D14/203.2, 203.6, 204, 209, 213, 215,  
D14/216, 221, 228; D32/30  
CPC ..... A61L 9/03; A61L 9/04; A61L 9/05; A61L  
9/12; A61L 9/14; A61L 9/22; A61L  
9/012; A61L 9/015; A61L 9/048; A61L  
9/127; A61L 2209/133; A47G 7/06; F24F

6/02; F24F 6/12; Y10S 261/88; Y10S  
261/89

See application file for complete search history.

(56)

**References Cited**

U.S. PATENT DOCUMENTS

|          |   |   |         |           |       |         |
|----------|---|---|---------|-----------|-------|---------|
| D629,881 | S | * | 12/2010 | Valentino | ..... | D23/368 |
| D751,683 | S | * | 3/2016  | Furner    | ..... | D23/368 |
| D803,377 | S | * | 11/2017 | Gobber    | ..... | D23/366 |
| D850,599 | S | * | 6/2019  | Gobber    | ..... | D23/368 |
| D850,600 | S | * | 6/2019  | Gobber    | ..... | D23/368 |

OTHER PUBLICATIONS

Bath & Body Works, "Black Soft Touch Visor Clip," webpage, admitted prior art, last accessed Dec. 25, 2019, available at <https://www.bathandbodyworks.com/p/black-soft-touch-visor-clip-car-fragrance-holder-022585788.html?cgid=car-fragrance#start=33>.

Bath & Body Works, "Scentportable" 2-in-1 Fragrance Emanation Device with Car Vent and Visor Clips, available at least as early as 2017.

\* cited by examiner

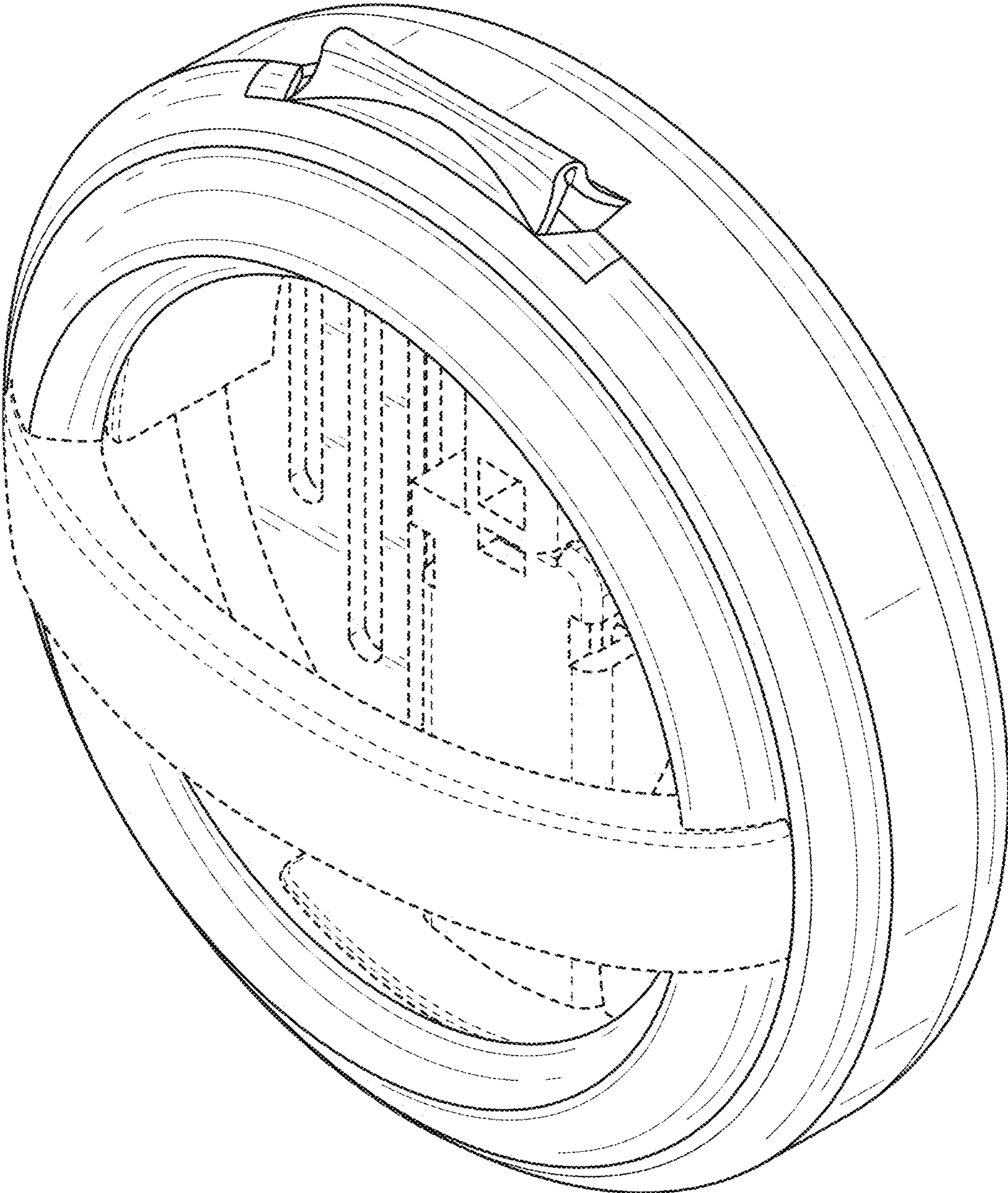


FIG. 1

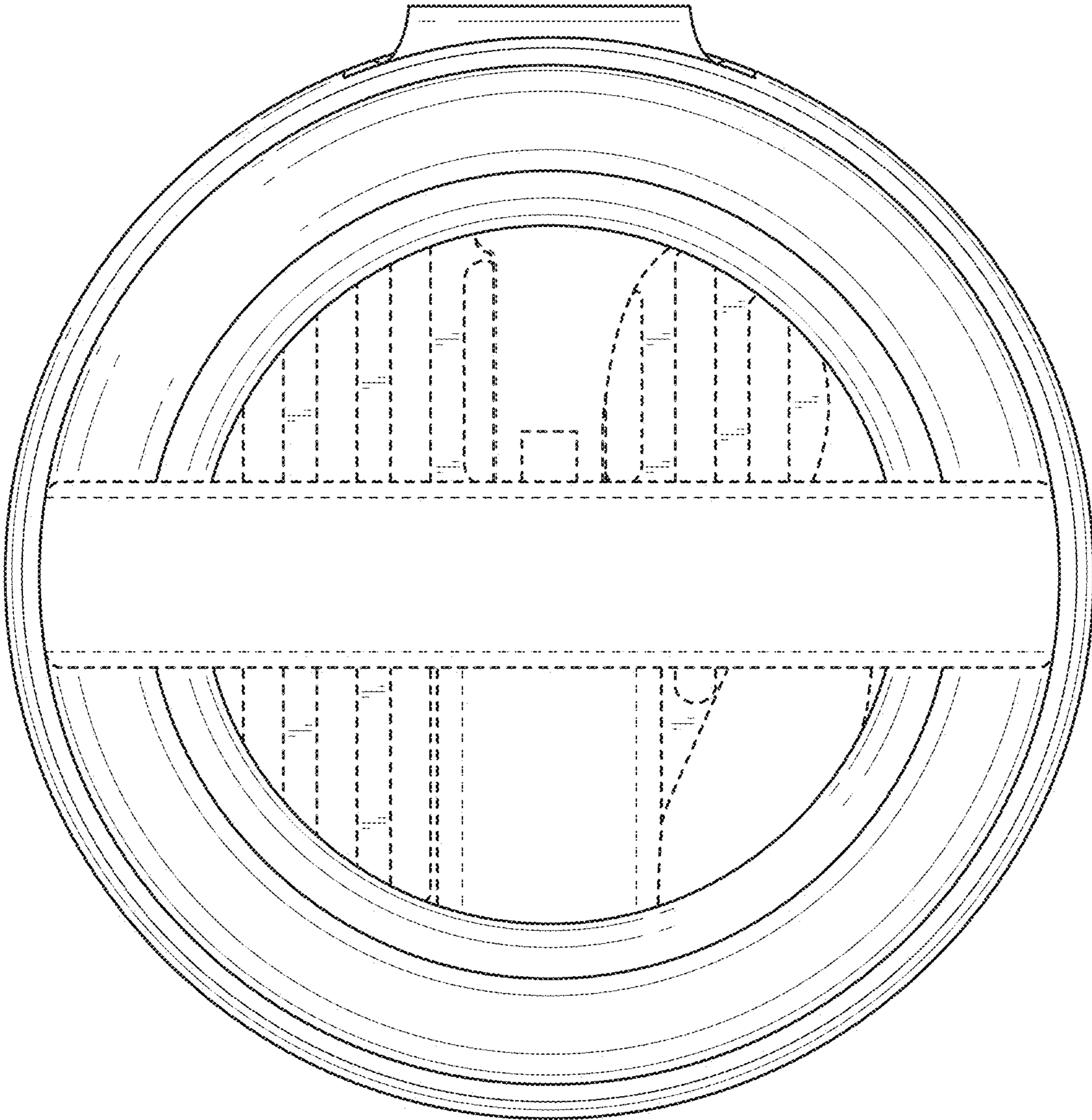


FIG. 2

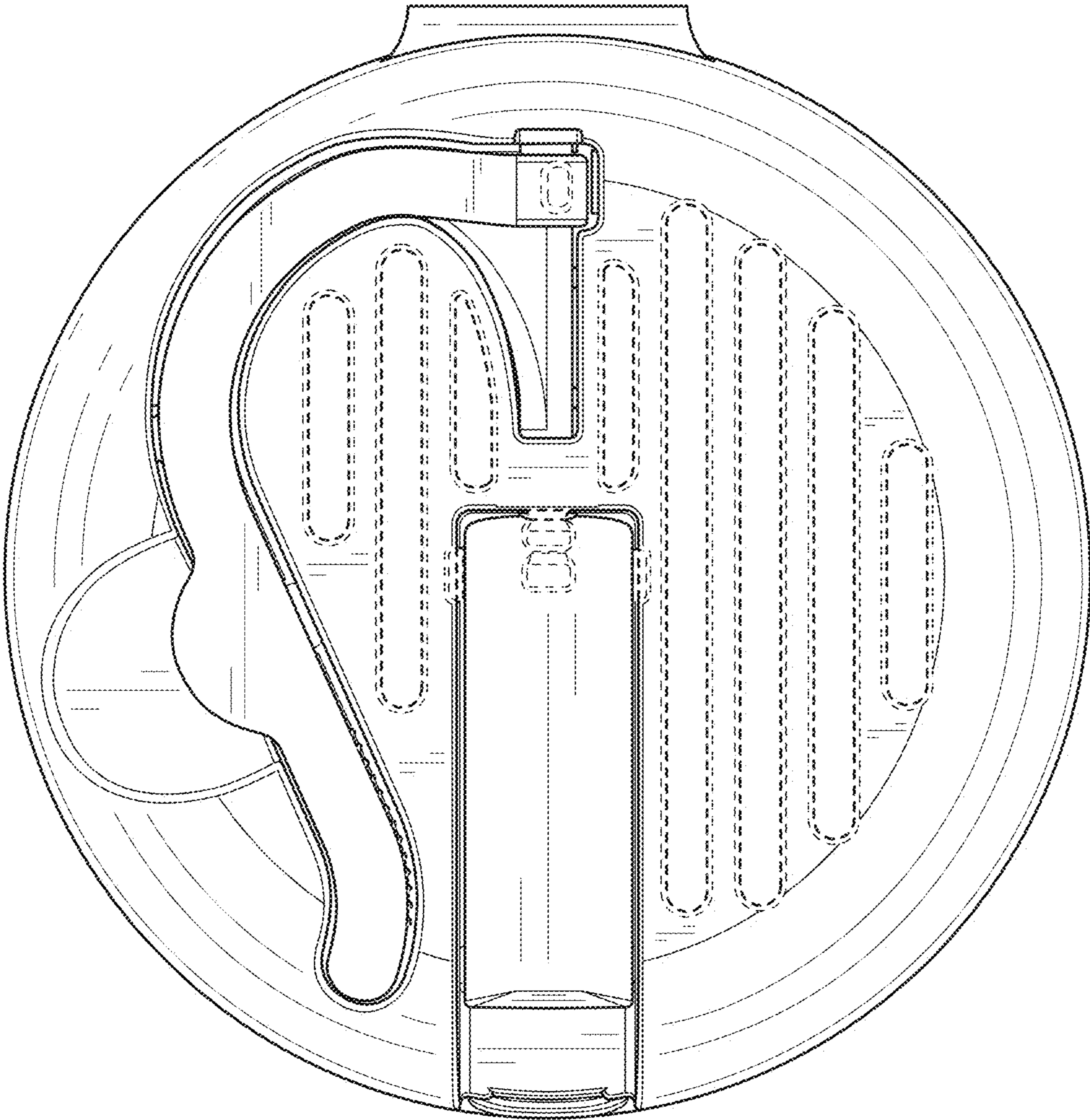


FIG. 3

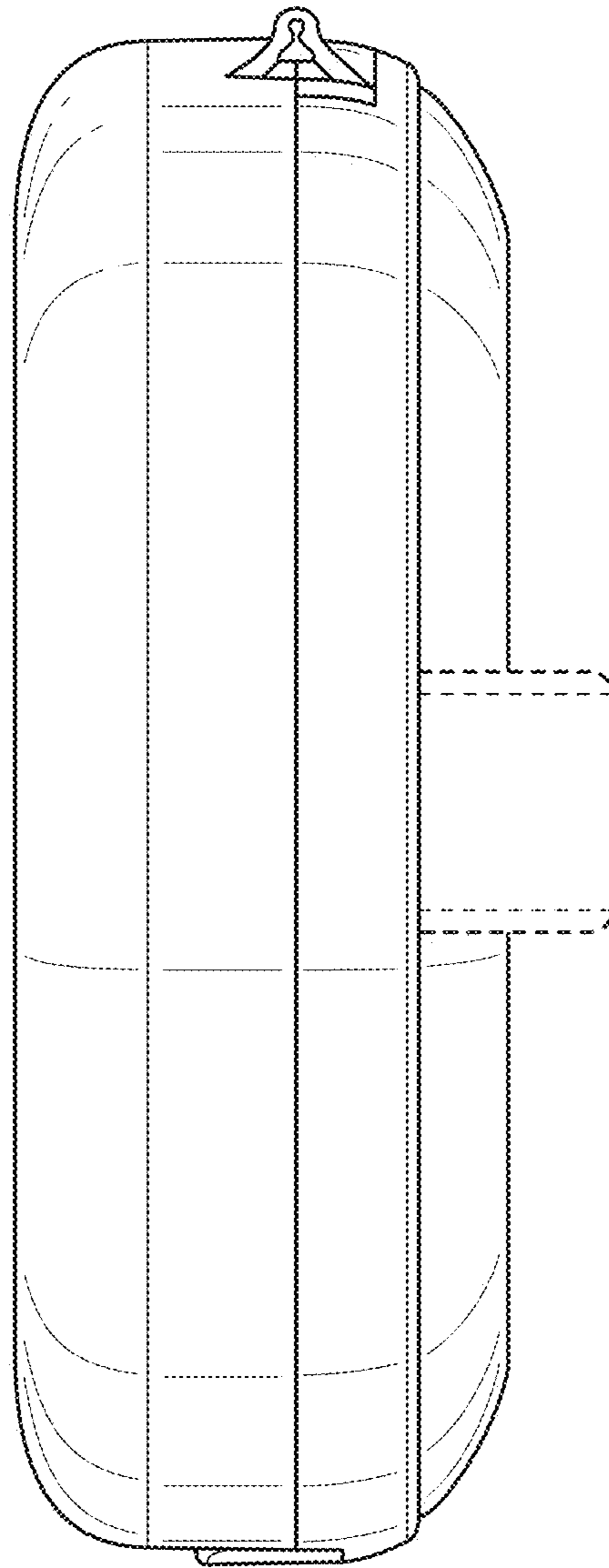


FIG. 4

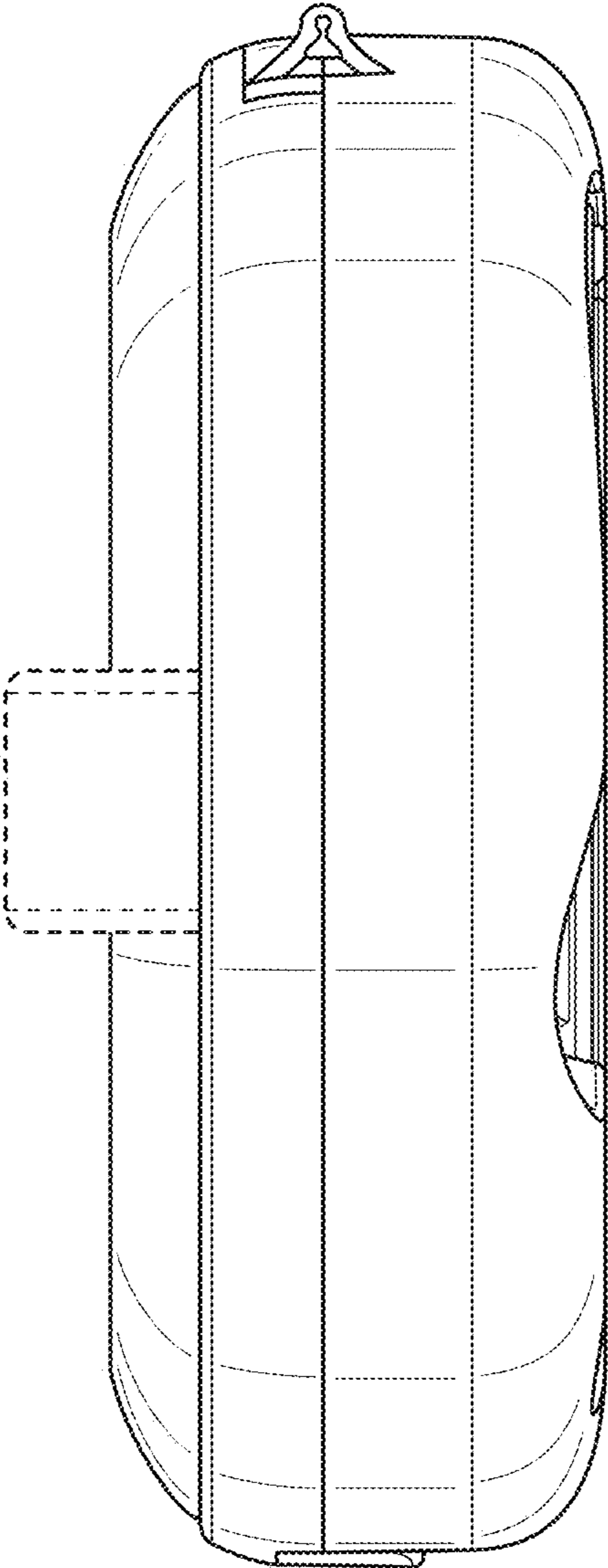


FIG. 5

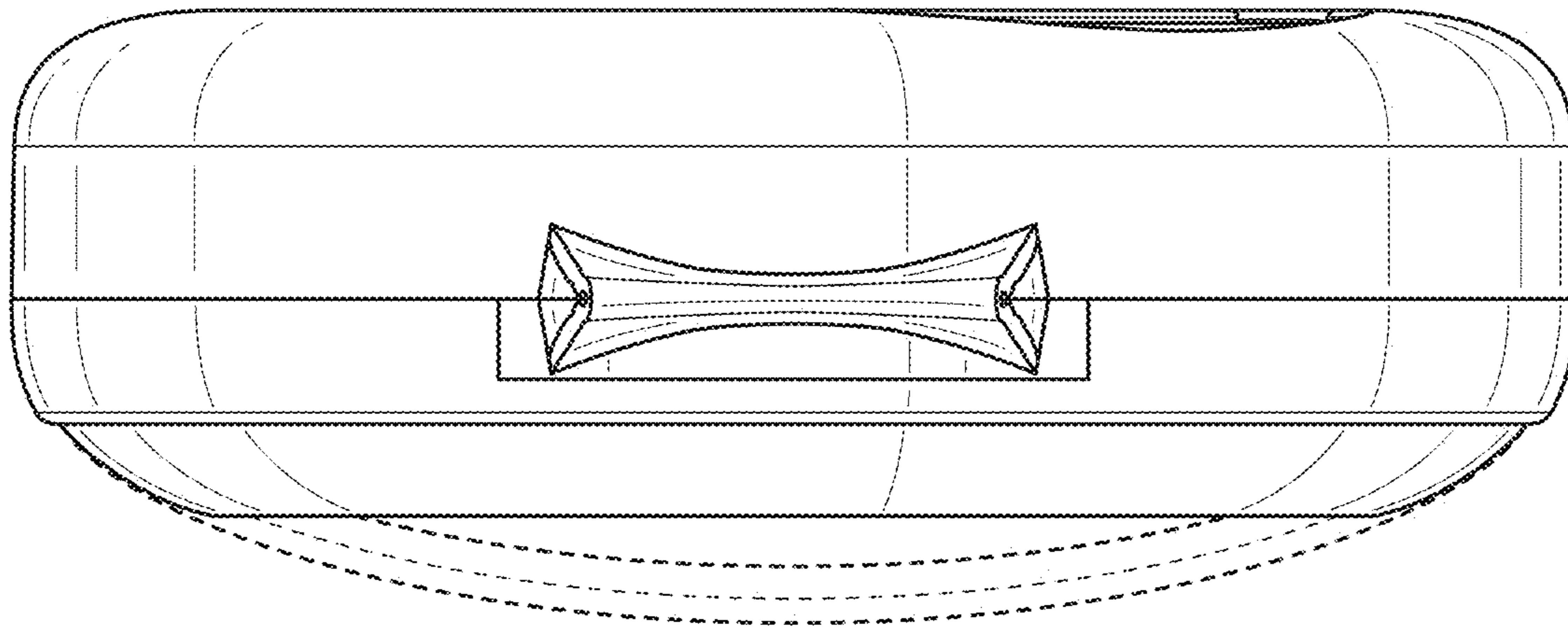


FIG. 6



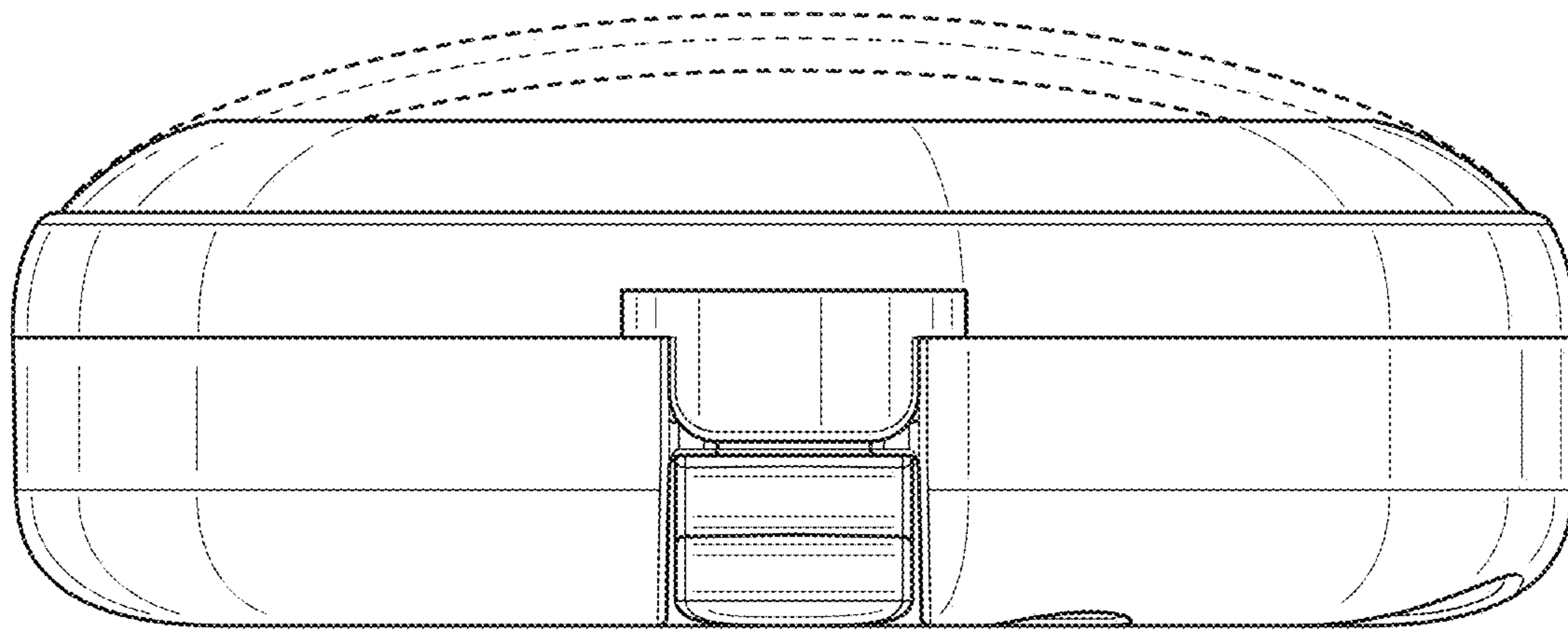


FIG. 7

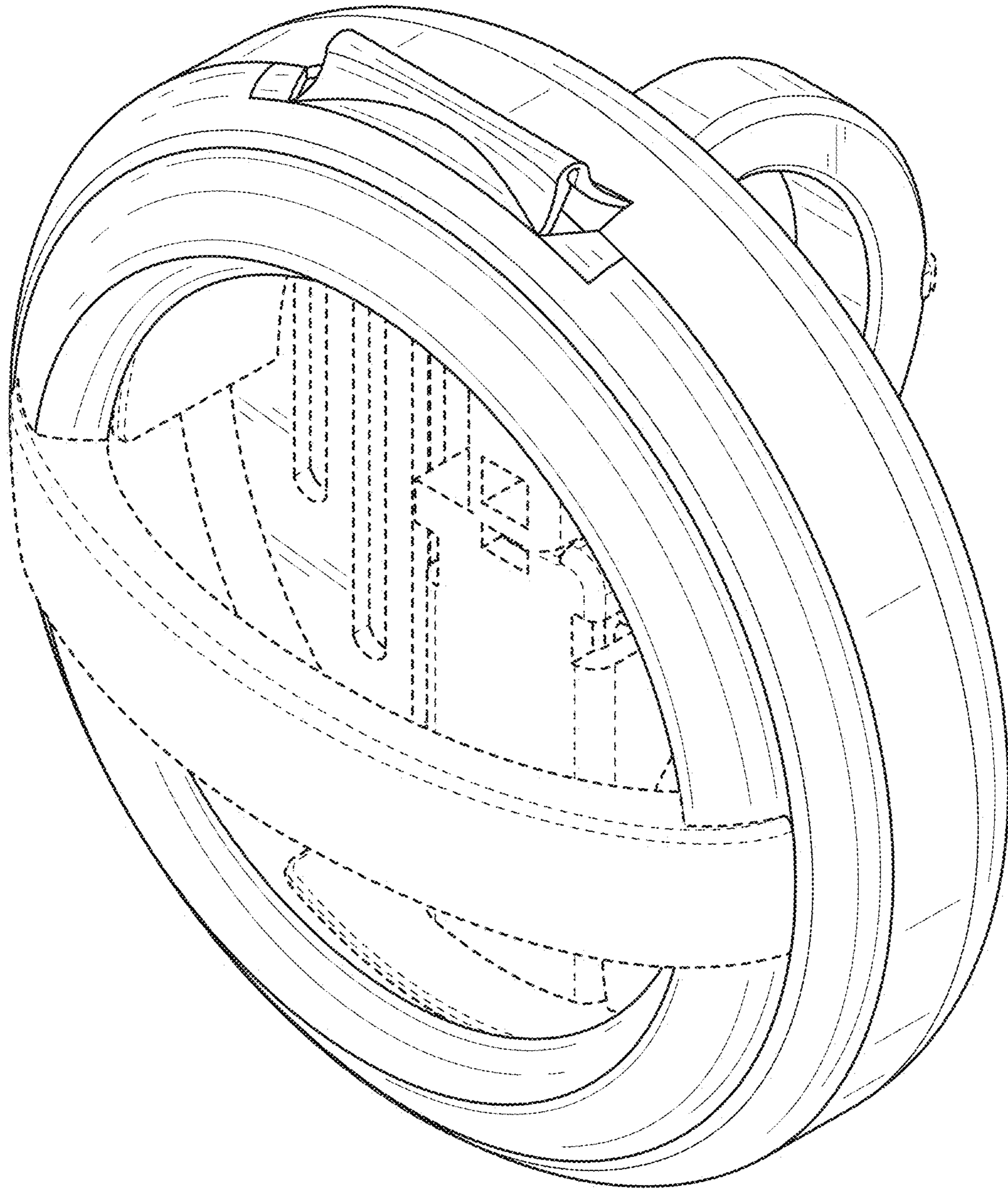


FIG. 8

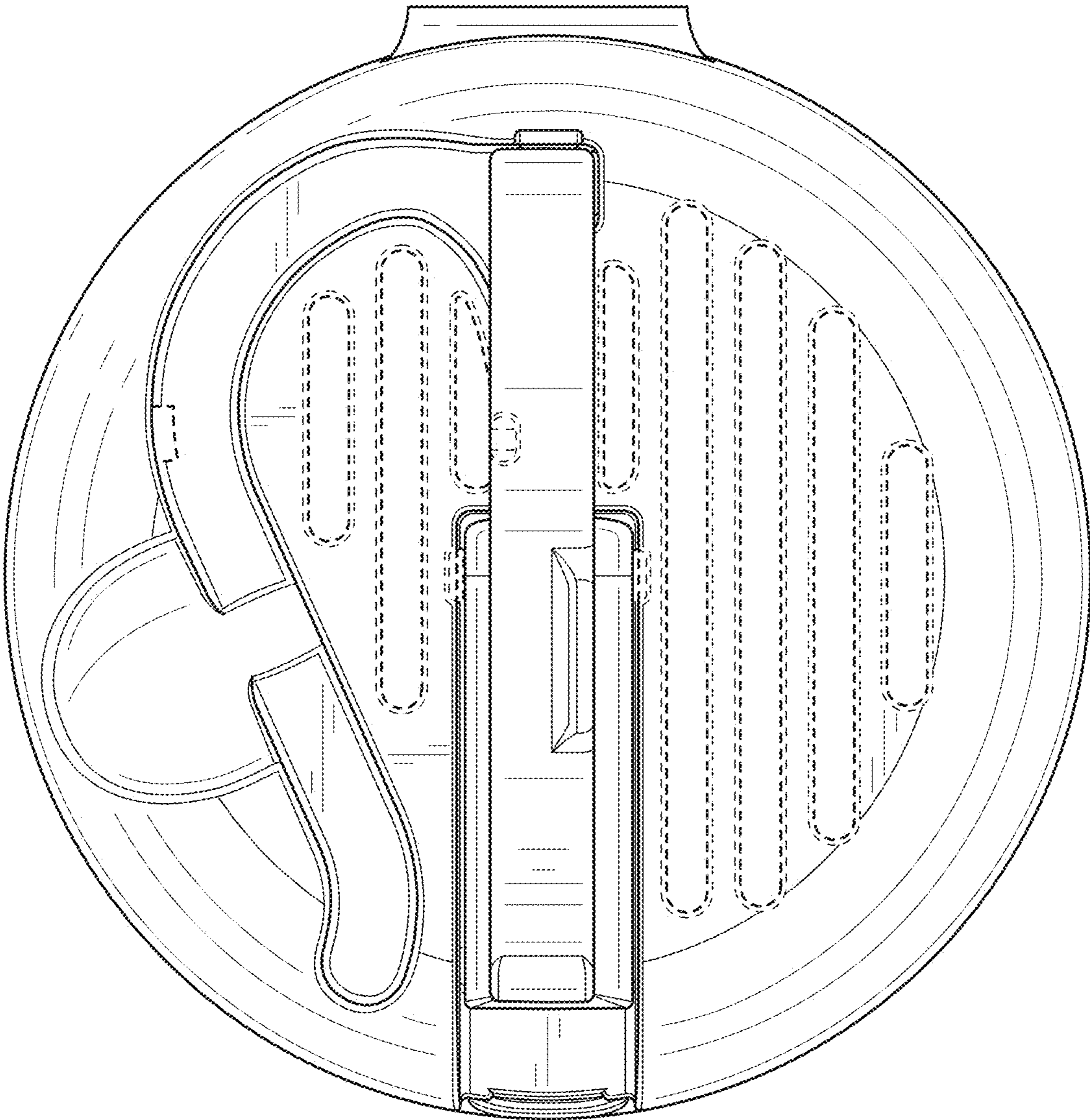


FIG. 9

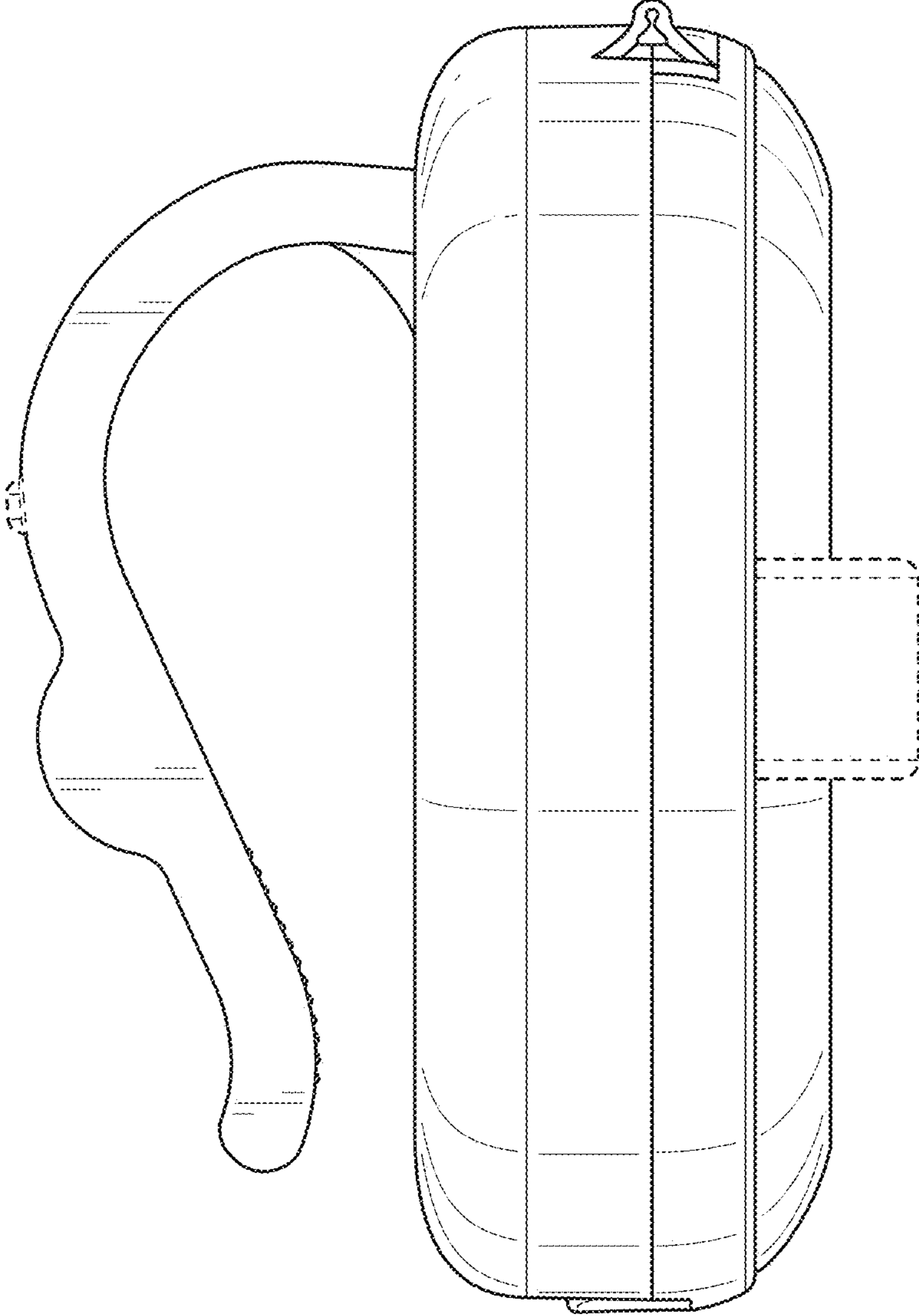


FIG. 10

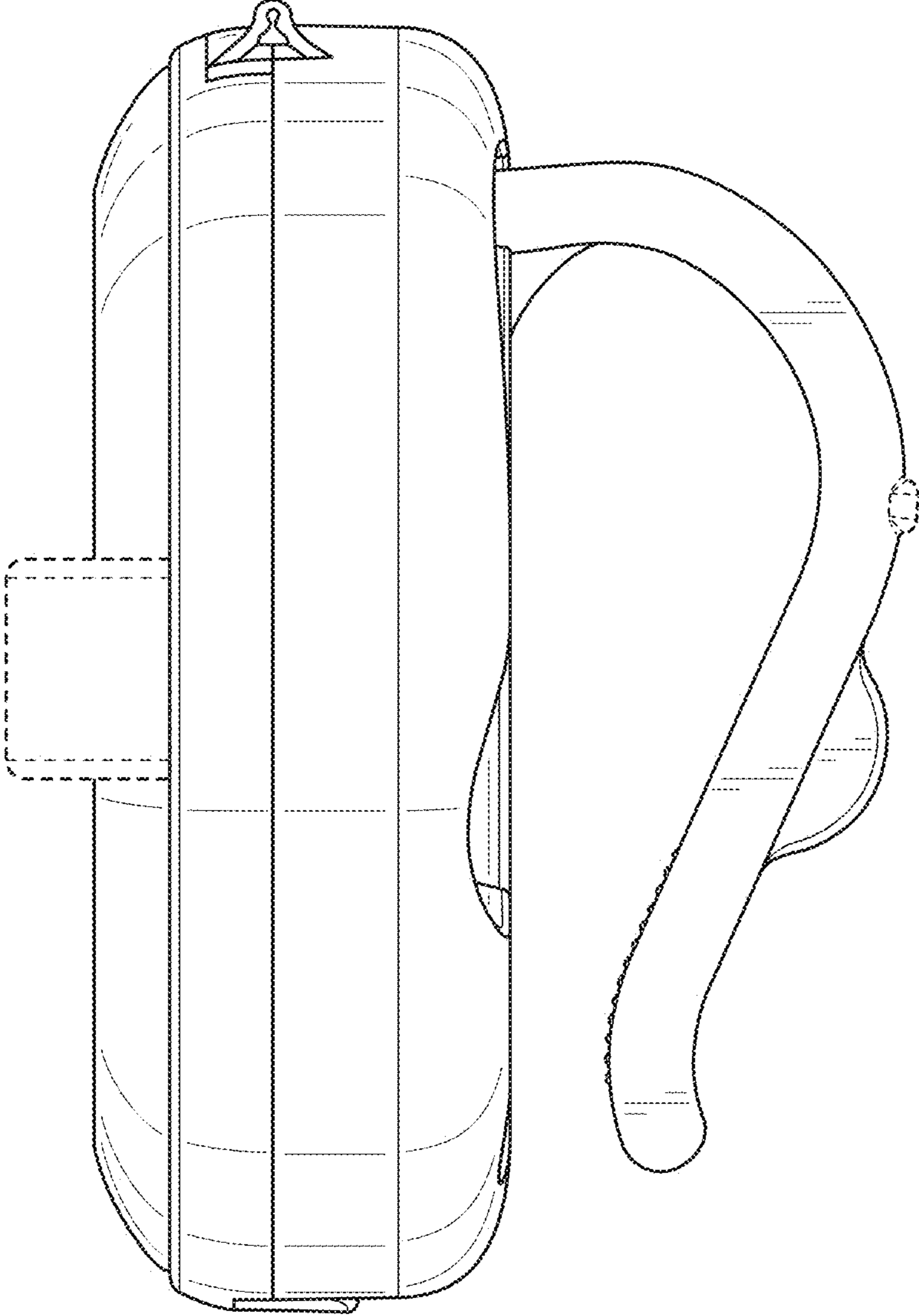


FIG. 11

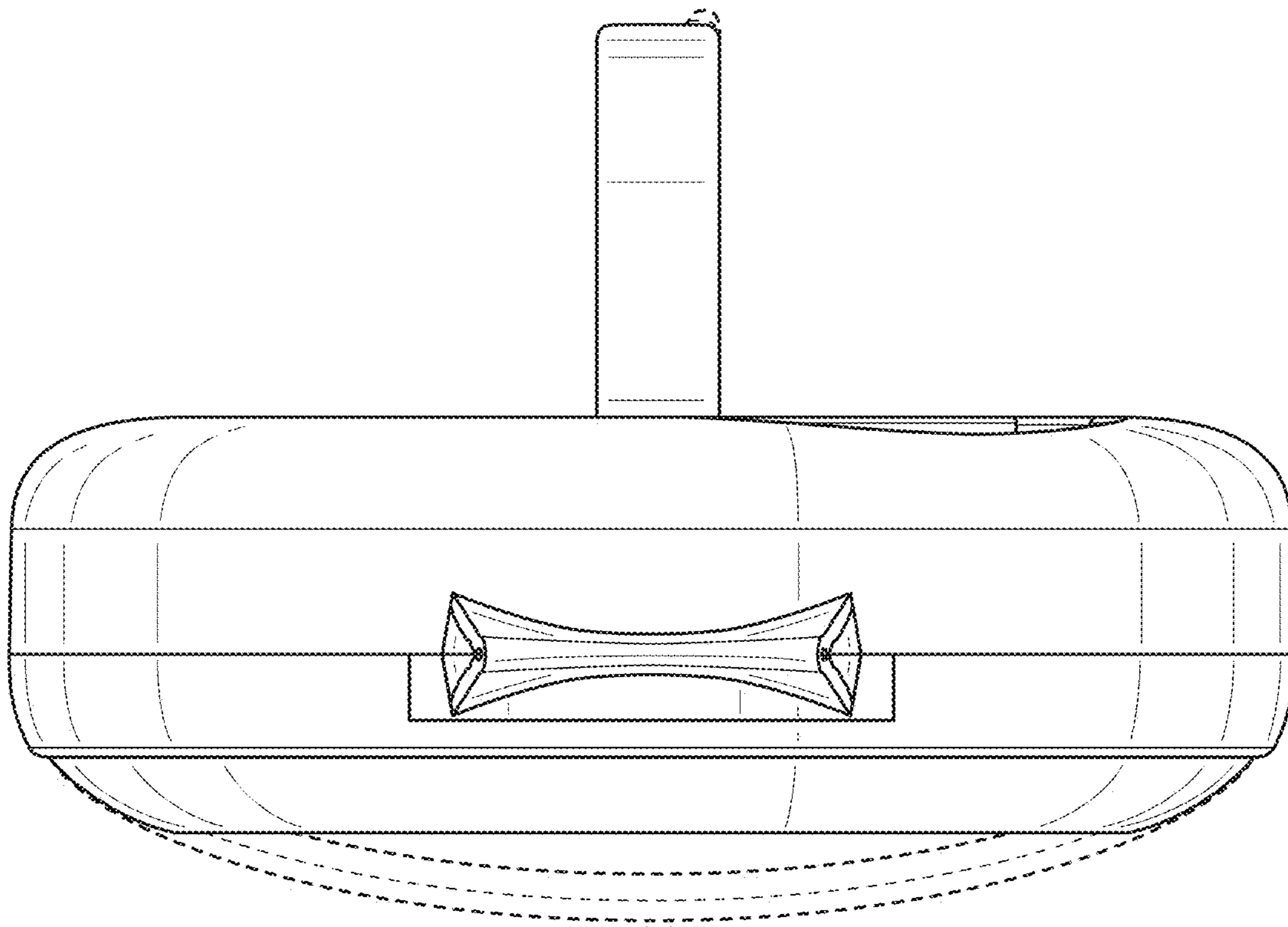


FIG. 12

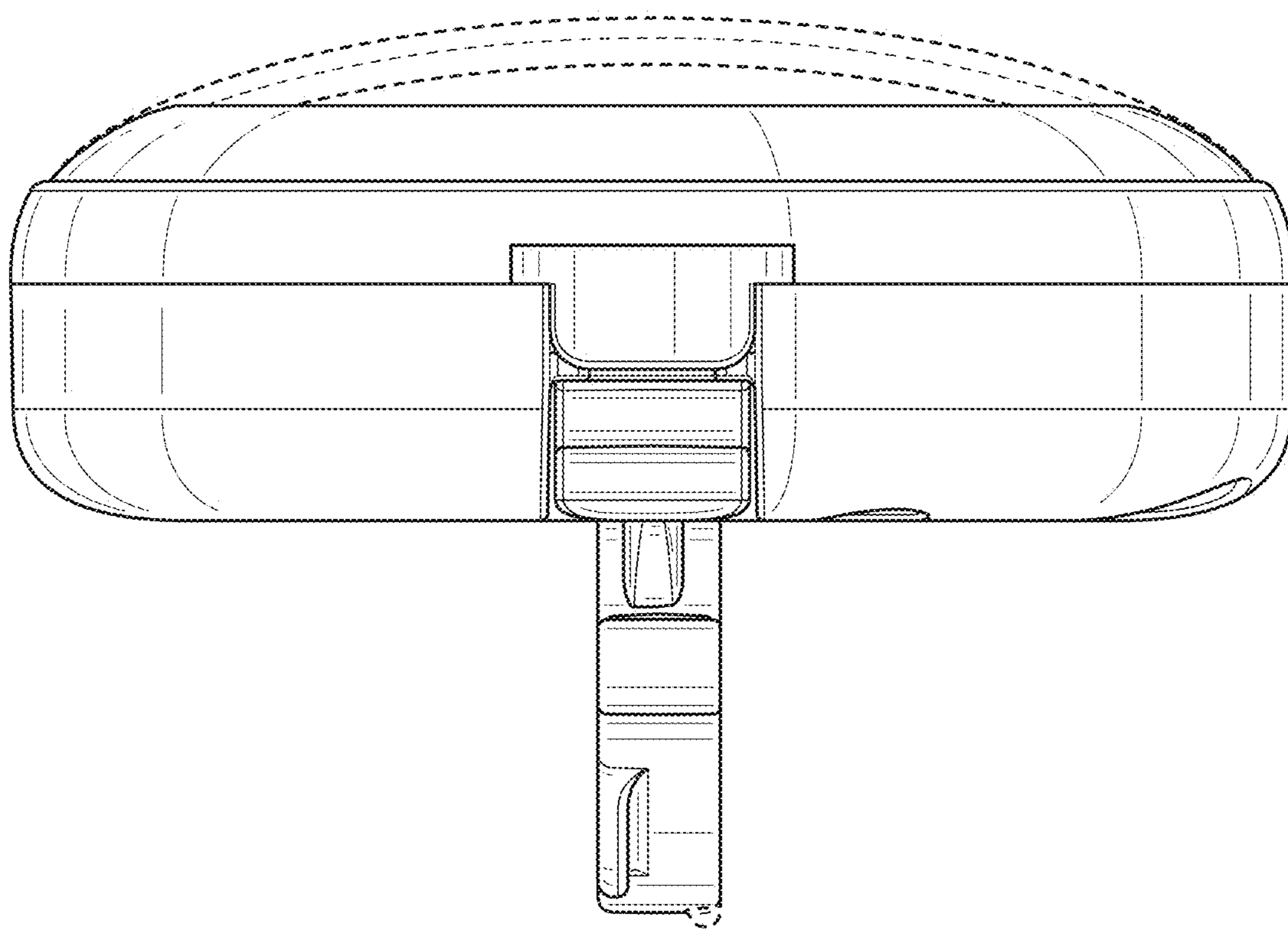


FIG. 13

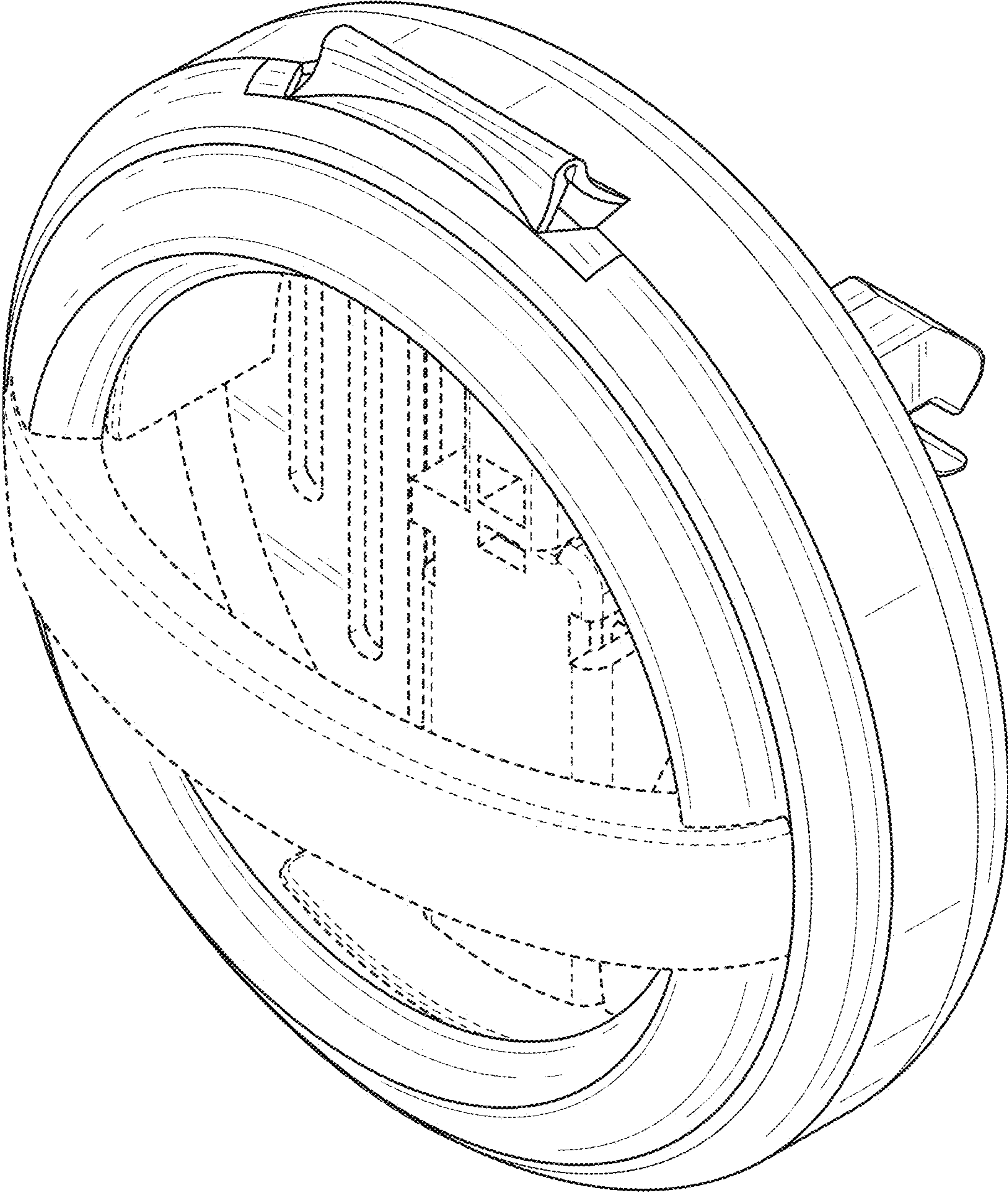


FIG. 14



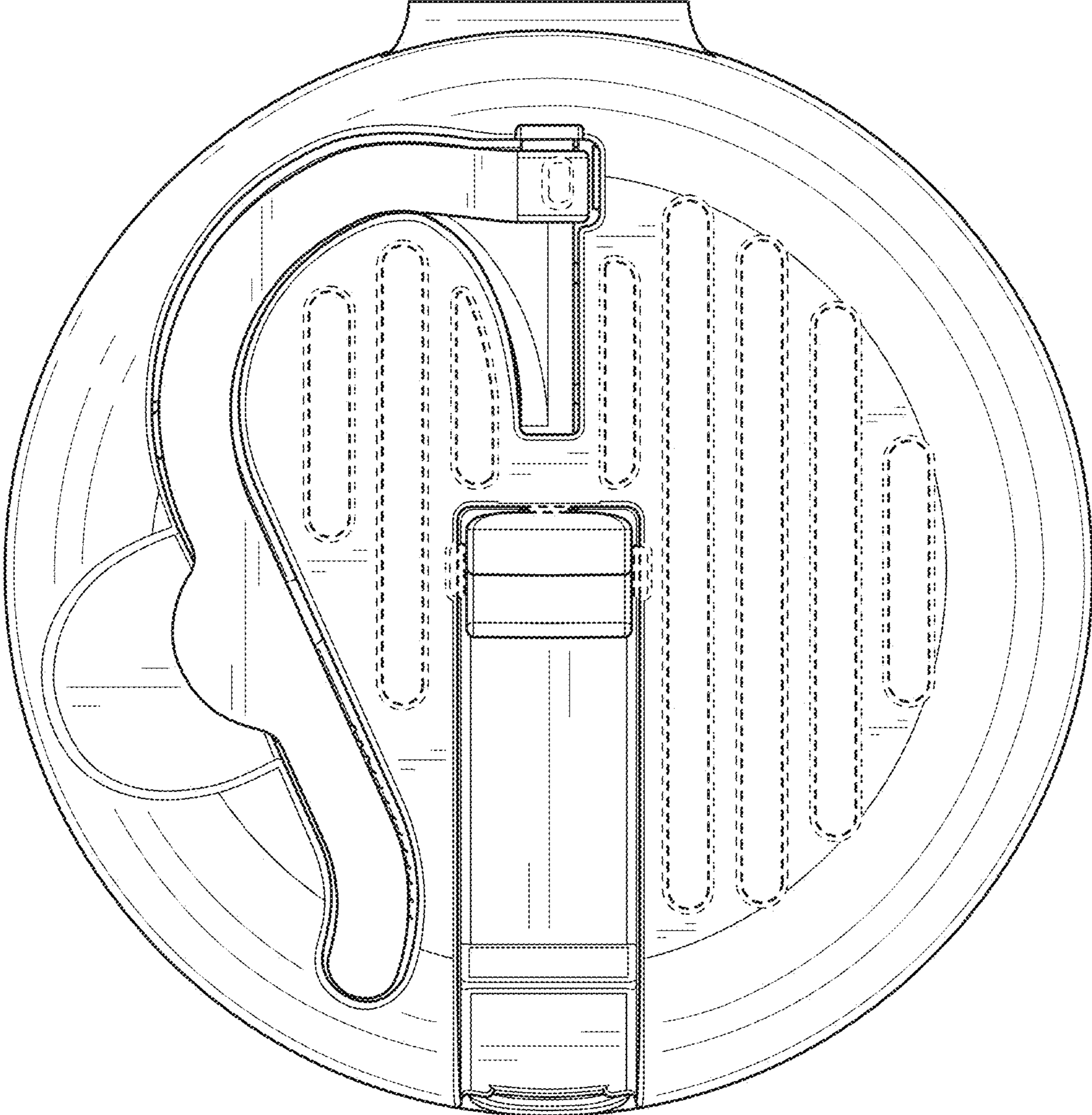


FIG. 15

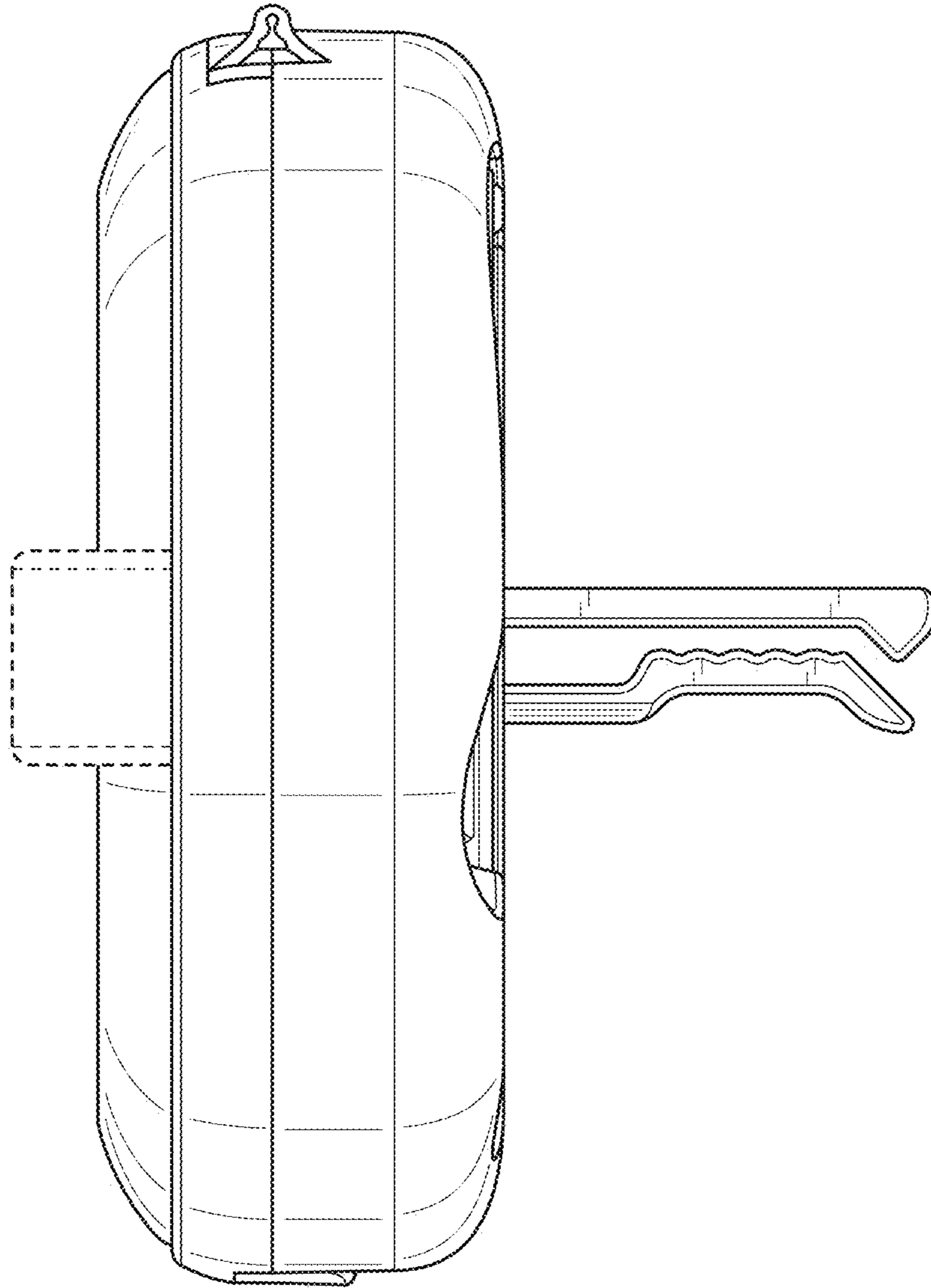


FIG. 16

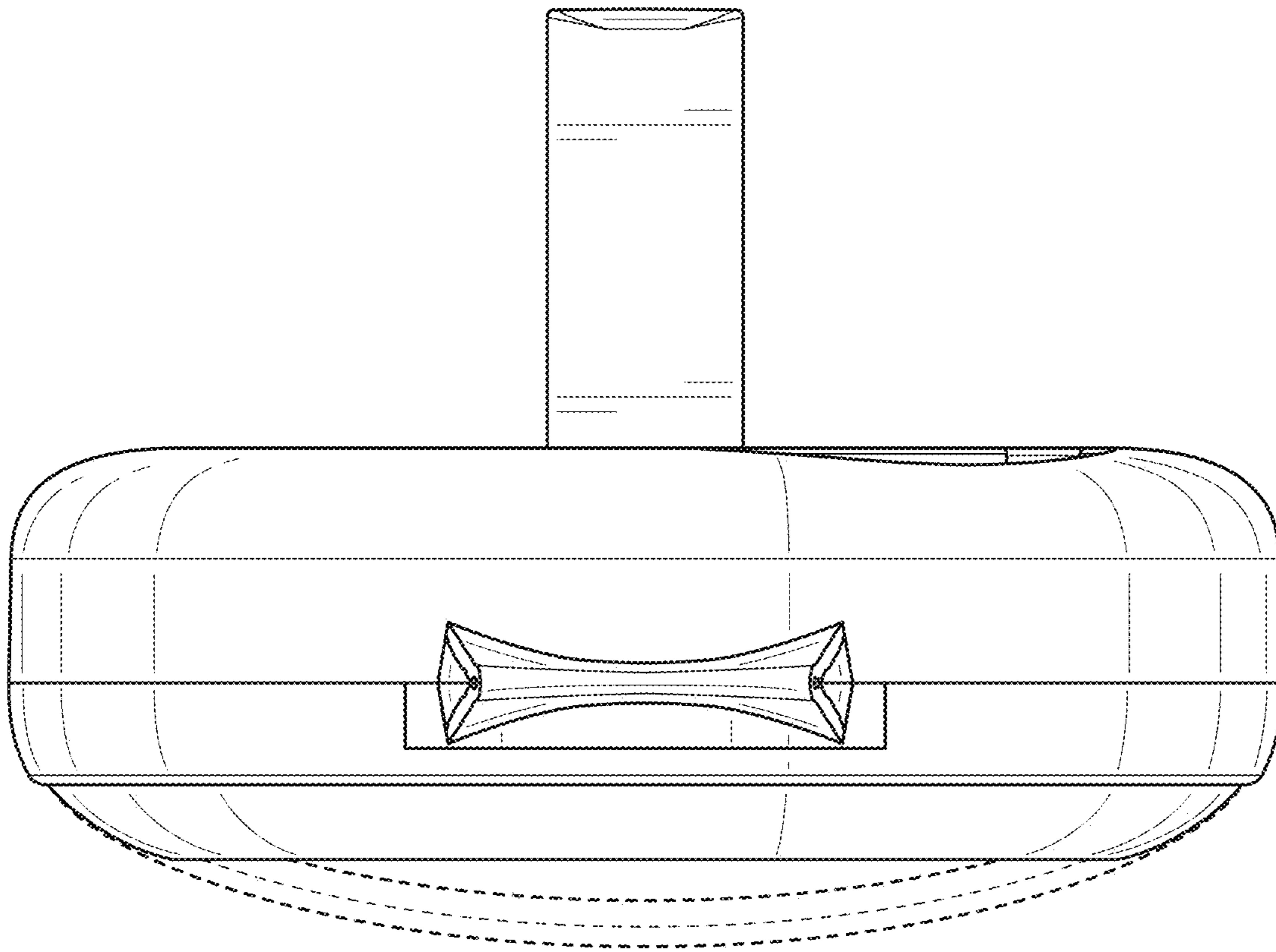


FIG. 17

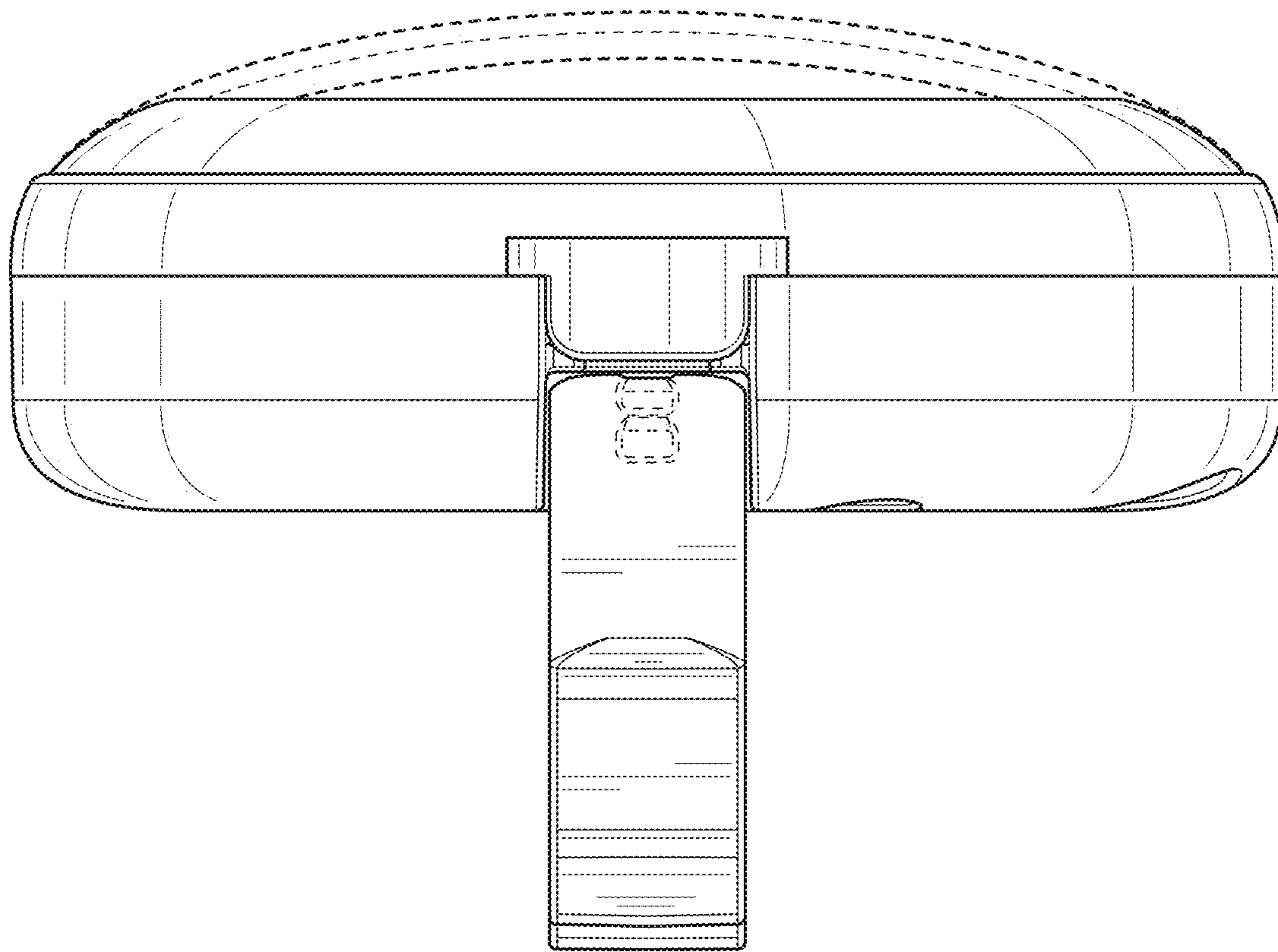


FIG. 18

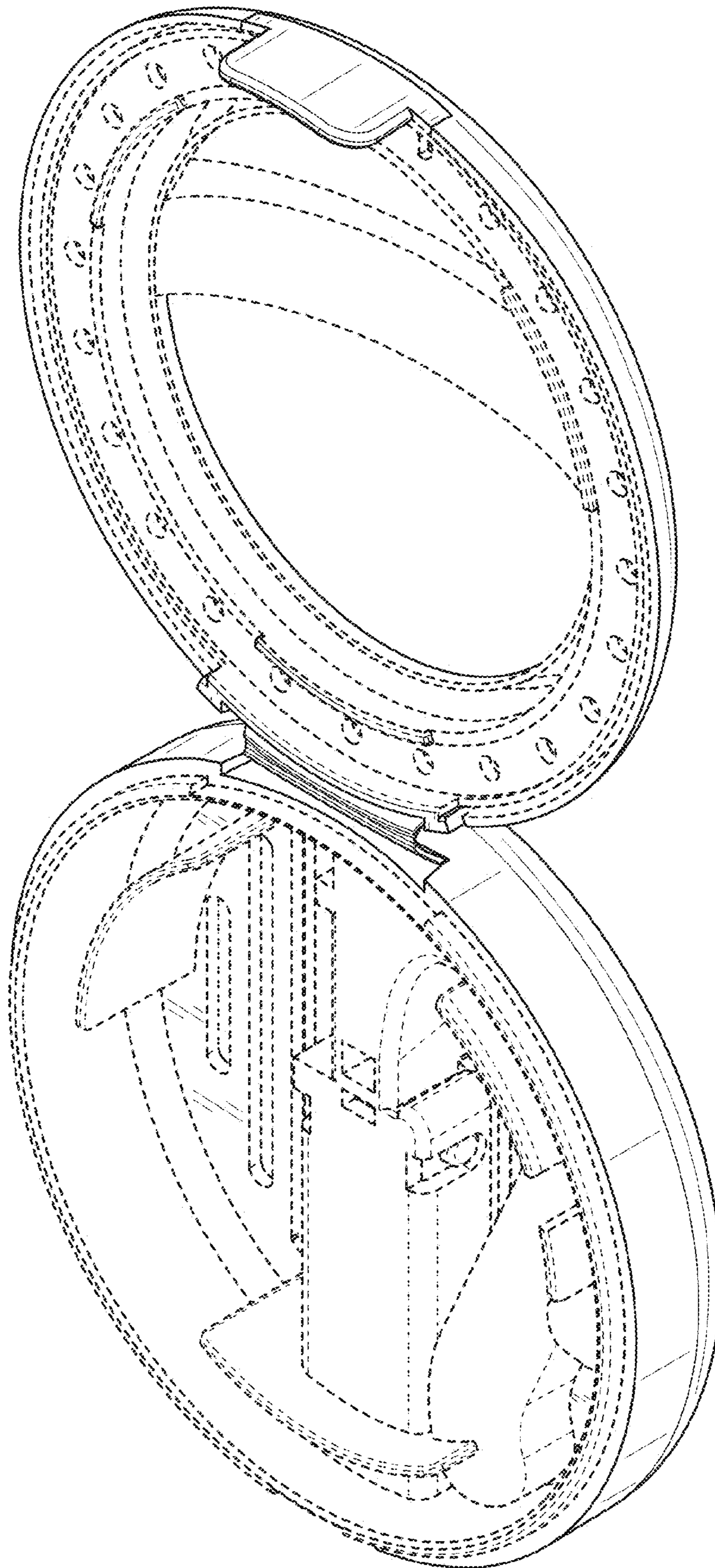


FIG. 19

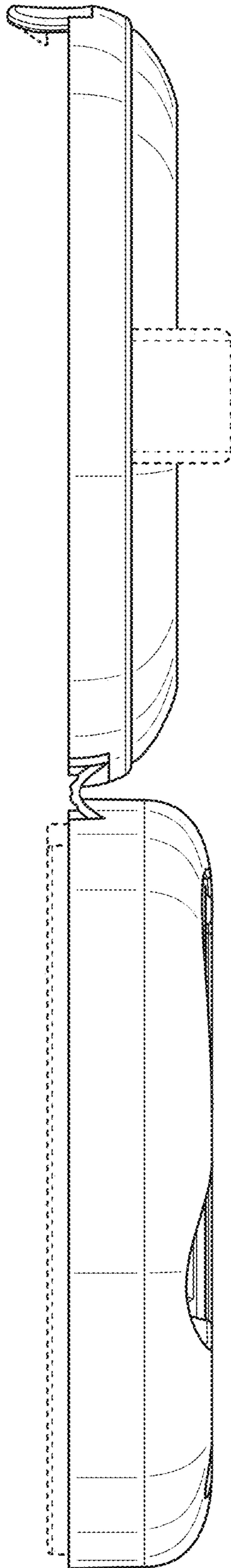


FIG. 20