

US00D969290S

(12) **United States Design Patent**
Guerin et al.

(10) **Patent No.: US D969,290 S**
(45) **Date of Patent: ** Nov. 8, 2022**

(54) **HOME FRAGRANCE DISPENSER**
(71) Applicant: **Bath & Body Works Brand Management, Inc.**, Reynoldsburg, OH (US)

D647,608 S * 10/2011 Young D23/366
D657,040 S 4/2012 Young et al.
8,197,762 B2 6/2012 Gasper
8,293,172 B2 10/2012 Gasper
(Continued)

(72) Inventors: **Patrick Guerin**, Fairfield, IA (US);
Chris Young, Fairfield, IA (US);
Richard Wisniewski, Blacklick, OH (US)

OTHER PUBLICATIONS

“Its Carmen” review of Bath & Body Works Wallflower Plugin [Feb. 12, 2015] (page capture) found online [Nov. 30, 2021]—
<https://www.itscarmen.com/2015/02/bath-body-works-wallflower-review.html>.*

(73) Assignee: **Bath & Body Works Brand Management, Inc.**, Reynoldsburg, OH (US)

(Continued)

(**) Term: **15 Years**

Primary Examiner — John A Voytek

(74) *Attorney, Agent, or Firm* — Andrus Intellectual Property Law, LLP

(21) Appl. No.: **29/709,940**

(22) Filed: **Oct. 18, 2019**

(51) **LOC (13) Cl.** **28-99**

(52) **U.S. Cl.**
USPC **D23/366**

(58) **Field of Classification Search**
USPC D23/209, 355, 356, 358, 359, 360, 364,
D23/365, 366, 367
CPC . A61L 9/03; A61L 9/012; A61L 9/015; A61L
9/037

See application file for complete search history.

(57) **CLAIM**

The ornamental design for a home fragrance dispenser, as shown and described.

DESCRIPTION

FIG. 1 is a perspective view of a home fragrance dispenser according to our new and ornamental design;
FIG. 2 is a front elevation view thereof;
FIG. 3 is a rear elevation view thereof;
FIG. 4 is a left side elevation view thereof;
FIG. 5 is a right side elevation view thereof;
FIG. 6 is a top plan view thereof;
FIG. 7 is a bottom plan view thereof; and,
FIG. 8 is a top plan view thereof shown in an illuminated state.

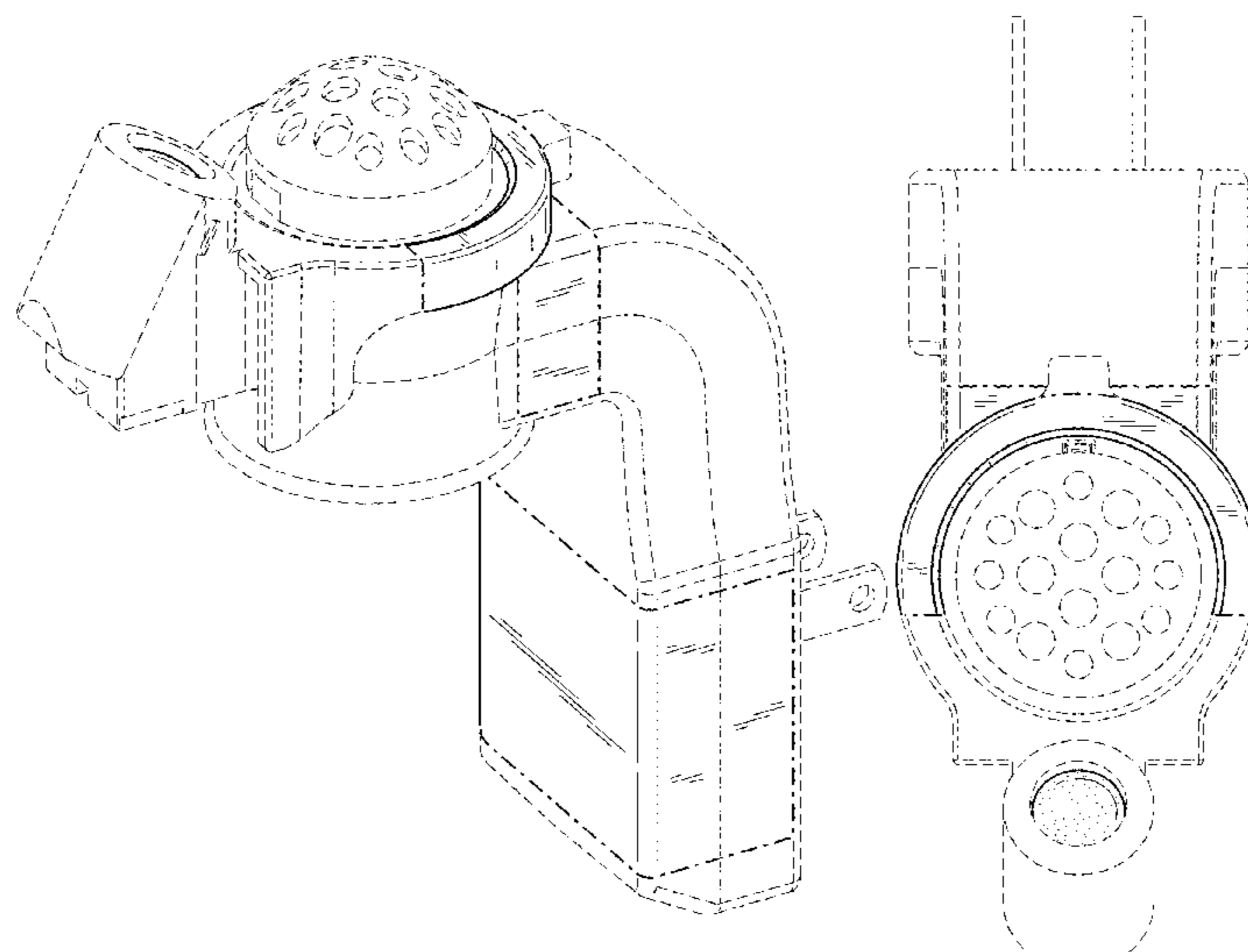
The dash-dot broken lines represent the boundaries of the claimed design and form no part of the claimed design. The broken lines outside of the boundaries represent portions of the home fragrance dispenser that form no part of the claimed design. The stippling in FIG. 8 indicates a portion of the home fragrance dispenser that illuminates in the illuminated state thereof.

(56) **References Cited**

U.S. PATENT DOCUMENTS

6,236,807 B1 5/2001 Ruffolo et al.
6,501,906 B2 * 12/2002 Vieira A61L 9/03
392/395
D488,856 S * 4/2004 Millan D23/366
6,909,840 B2 6/2005 Harwig et al.
D507,636 S * 7/2005 Baraky D23/366
D522,119 S 5/2006 Baraky et al.
D533,930 S * 12/2006 Keller, Jr. D23/366
D544,087 S 6/2007 Baraky et al.
7,277,626 B2 10/2007 Pesu et al.
7,932,482 B2 4/2011 Norwood et al.

1 Claim, 7 Drawing Sheets



(56)

References Cited

U.S. PATENT DOCUMENTS

8,301,019 B2 10/2012 Smith et al.
D672,861 S * 12/2012 Adair D23/366
8,891,947 B2 11/2014 Neumann et al.
8,983,279 B2 3/2015 Adair et al.
9,453,652 B2 9/2016 Neumann et al.
D816,203 S * 4/2018 Valentino D23/366
D834,693 S * 11/2018 Robinson D23/366
D846,725 S * 4/2019 Meeker D23/366
2011/0132992 A1* 6/2011 Hoppe A61L 9/02
239/6
2017/0252476 A1 9/2017 Koontz et al.
2020/0237948 A1* 7/2020 Vaughan A61L 9/14
2021/0015955 A1* 1/2021 Harrell A61L 9/037

OTHER PUBLICATIONS

Funk, Tobias, "Electric Fragrance Diffuser," Design U.S. Appl. No. 29/698,525, filed Jul. 17, 2019.

ScentSationals, Scented Wax Warmer Bronze Lantern Accent Warmer, at least as early as Dec. 1, 2016, available at <https://www.amazon.com/Electric-Pluggable-Fragrance-Diffuser-Lantern/dp/B0115MF00Y>, last accessed Oct. 18, 2019.

* cited by examiner

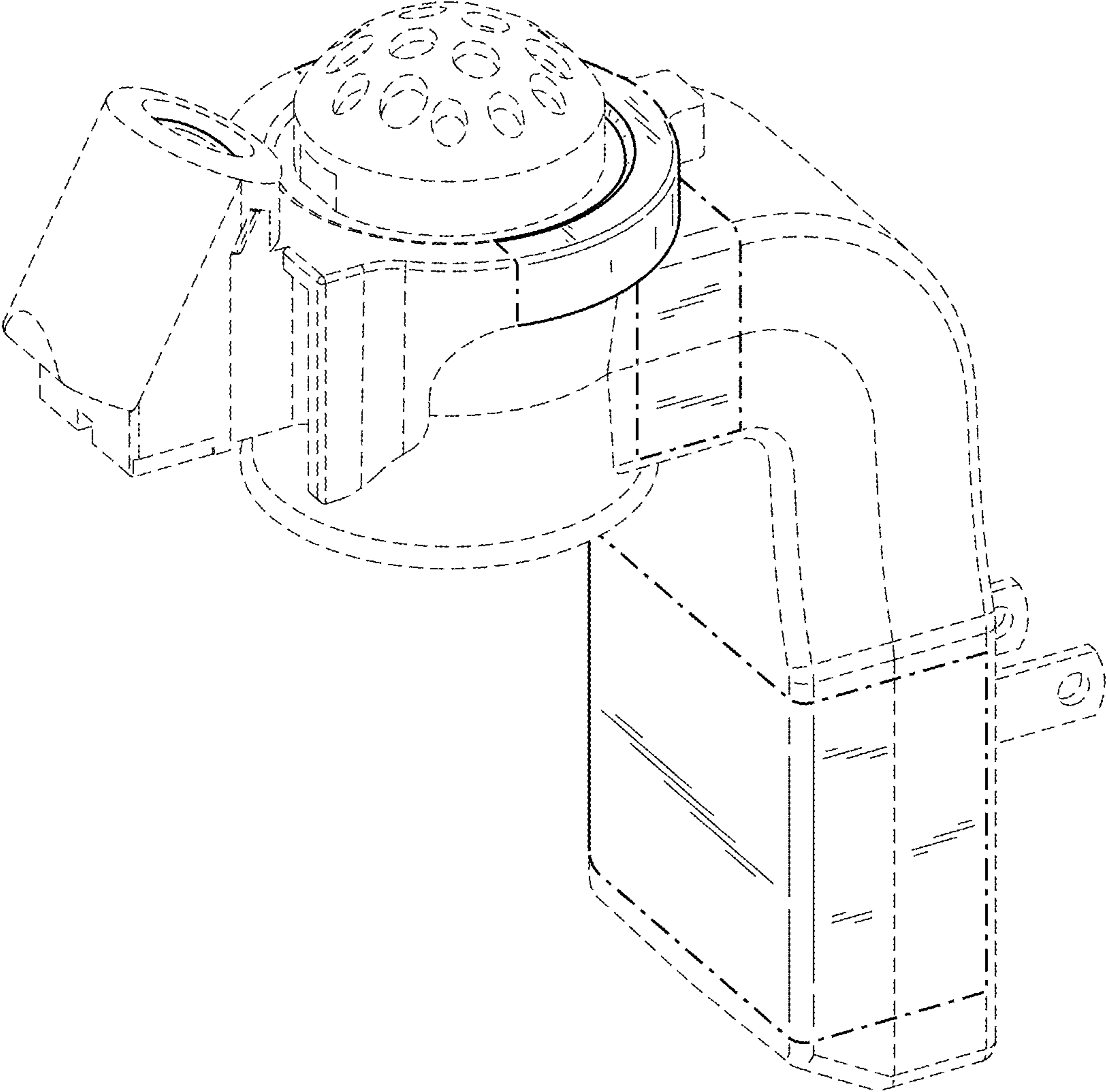


FIG. 1

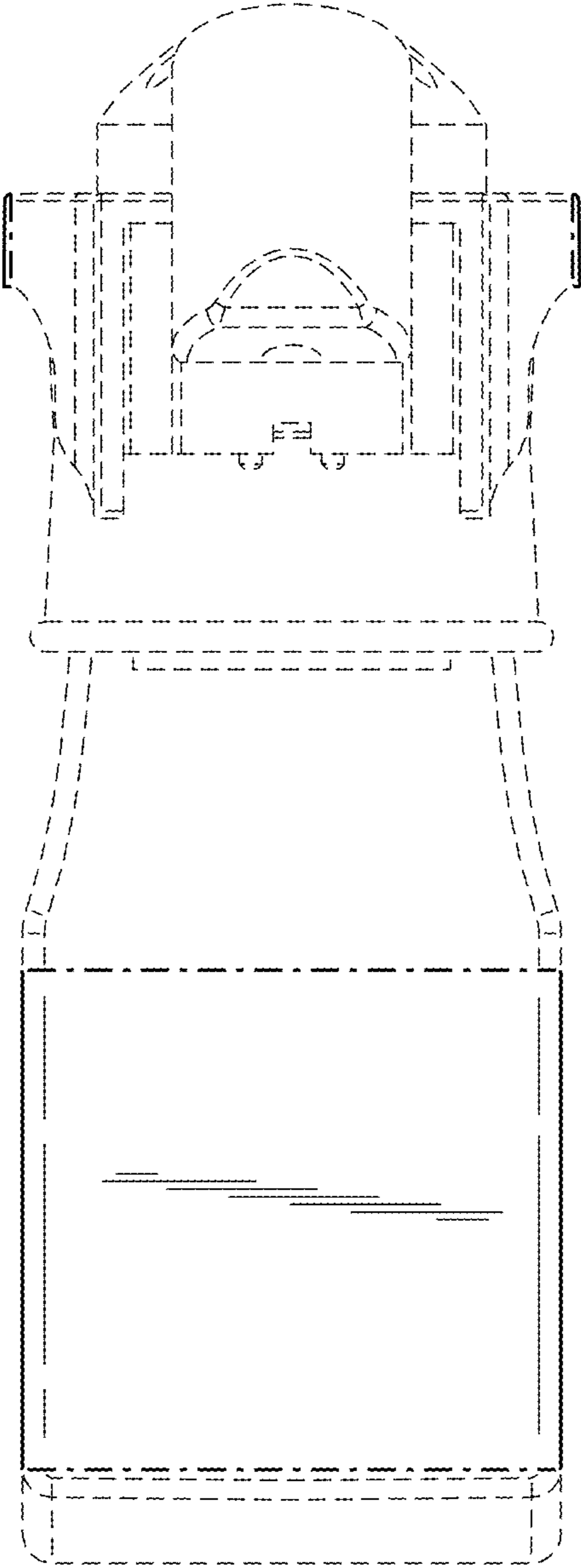


FIG. 2

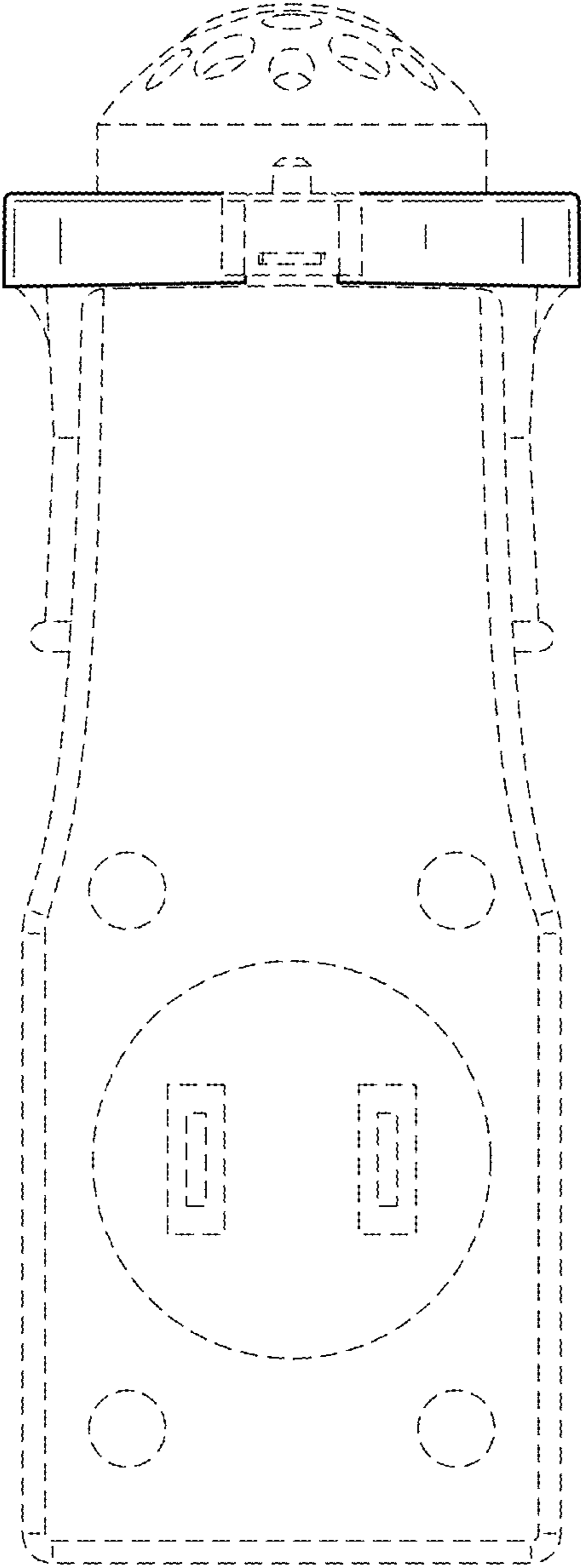


FIG. 3

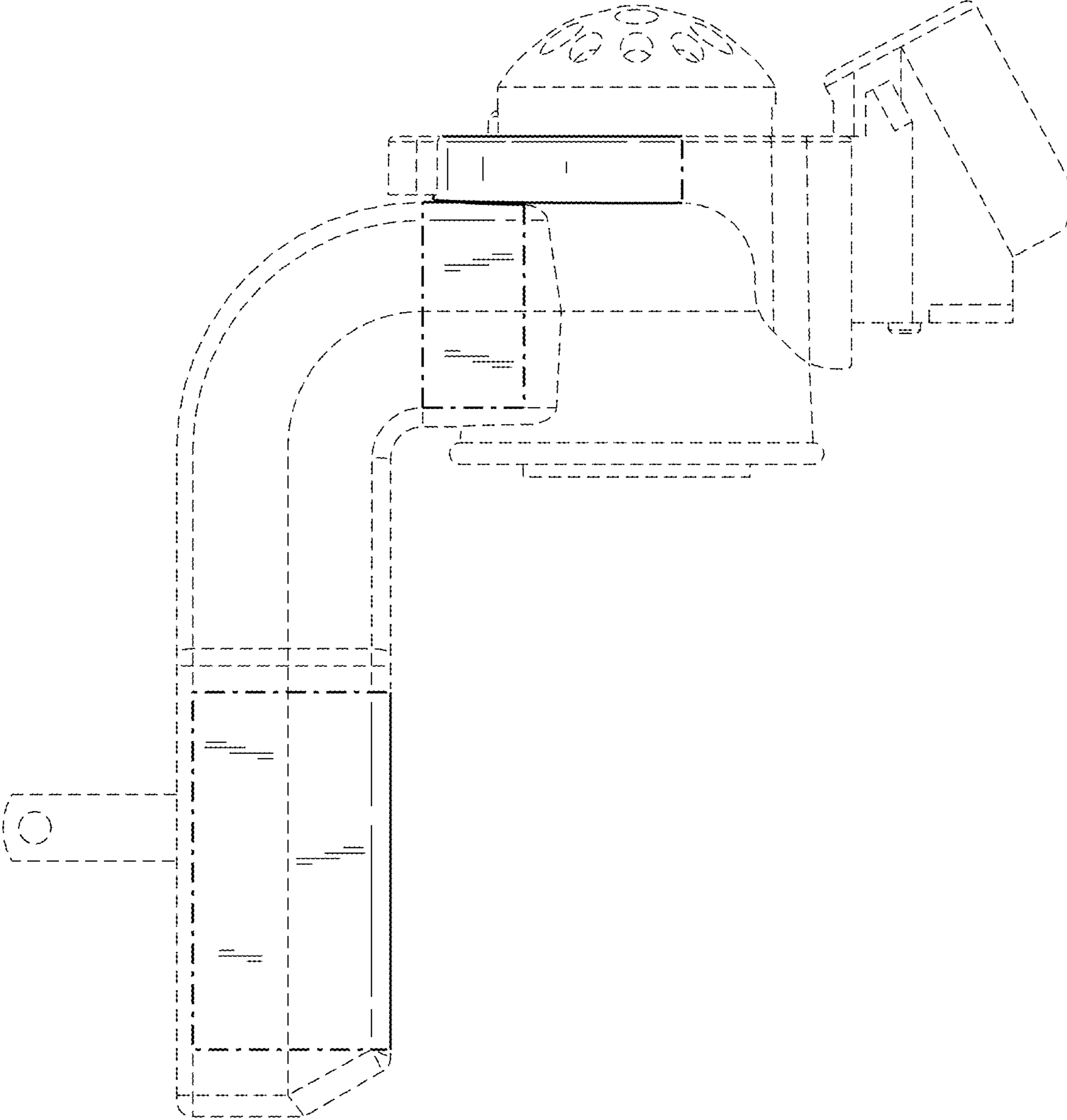


FIG. 4

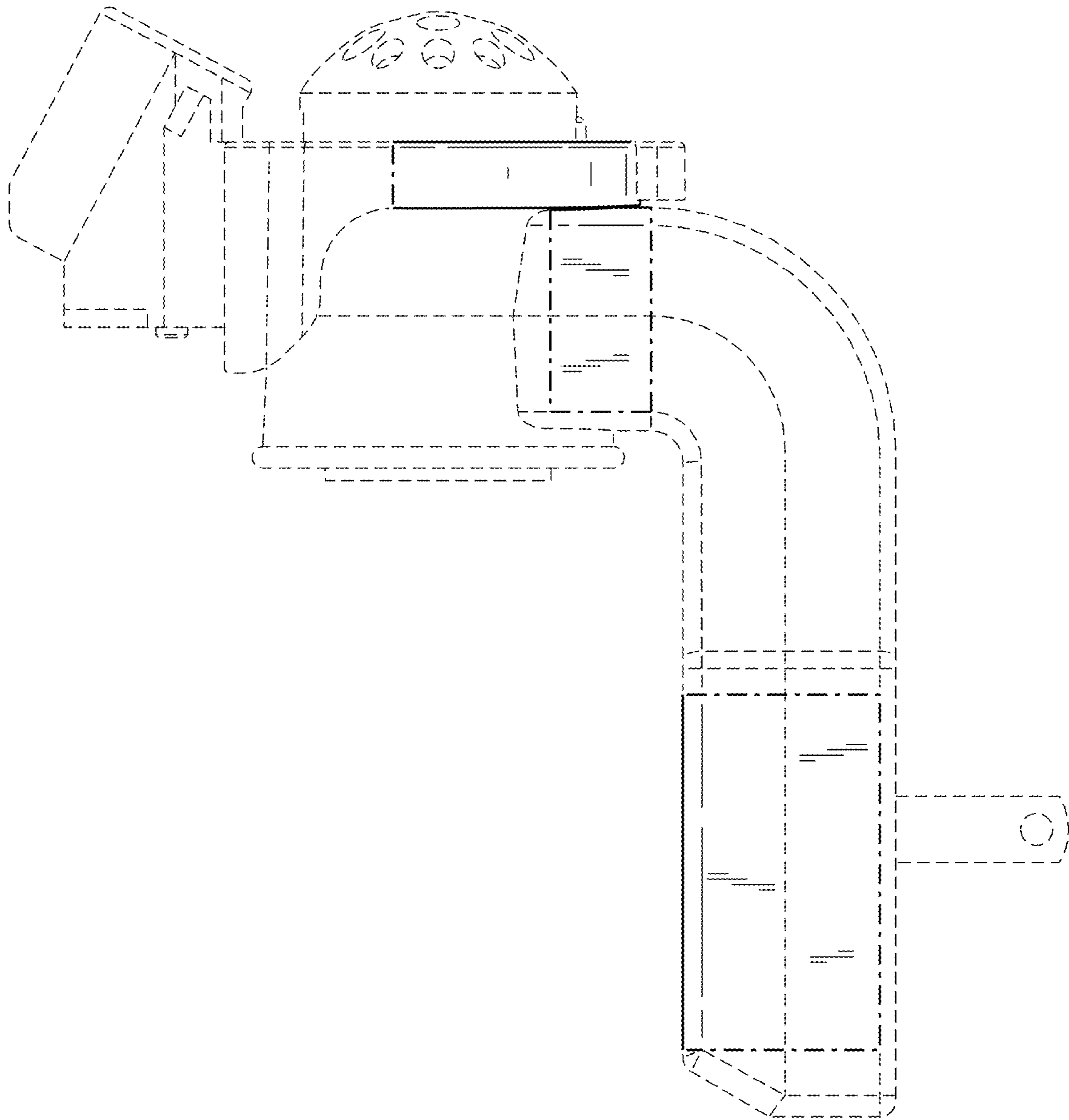


FIG. 5

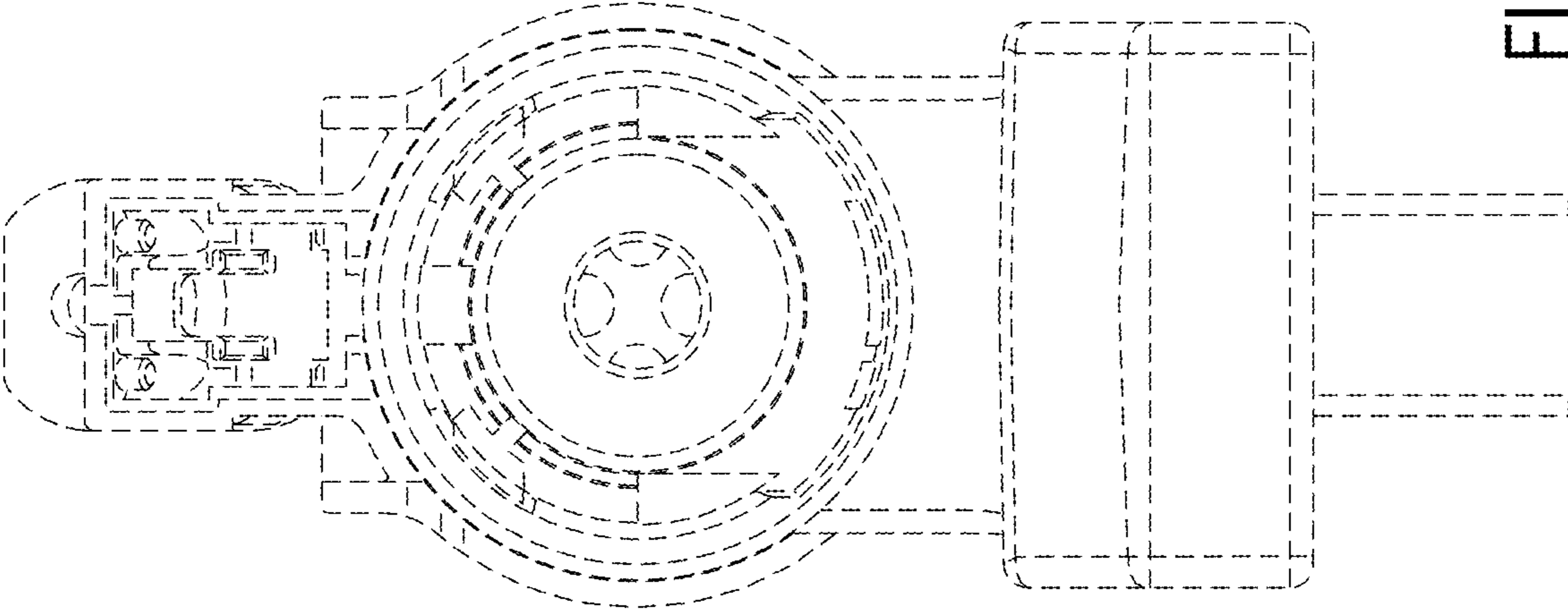


FIG. 7

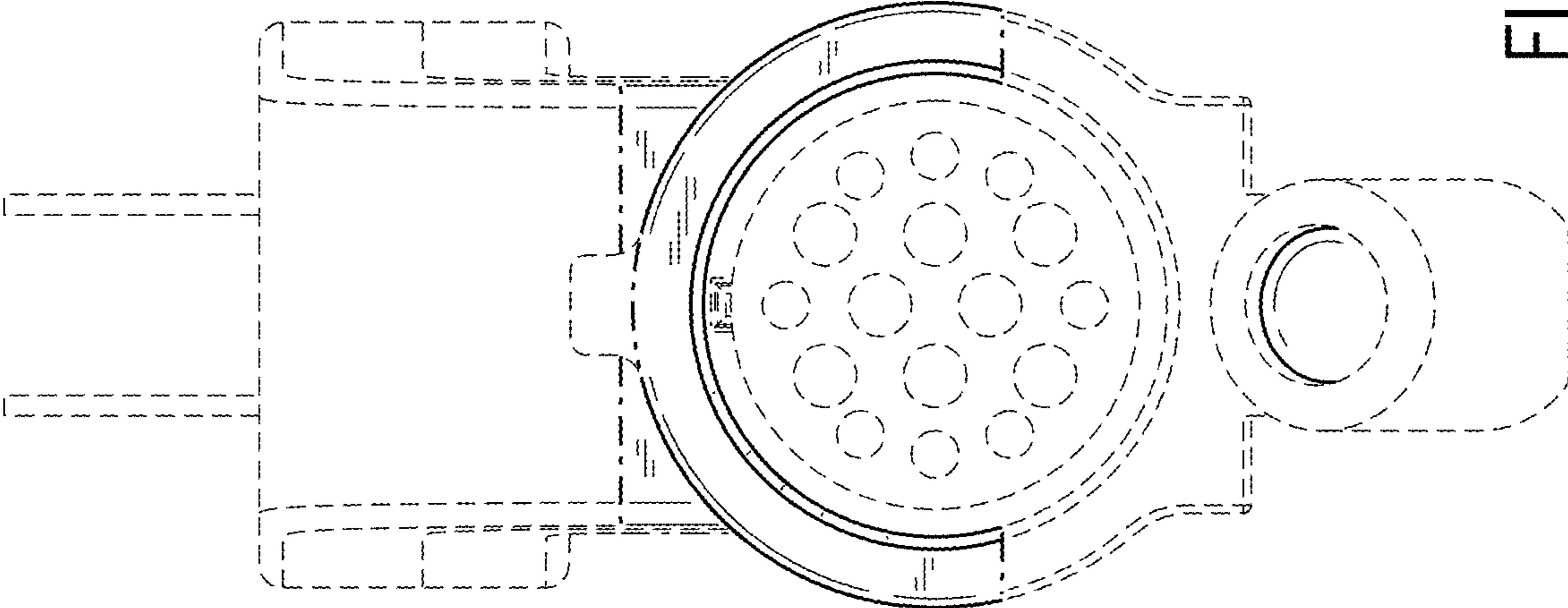


FIG. 6

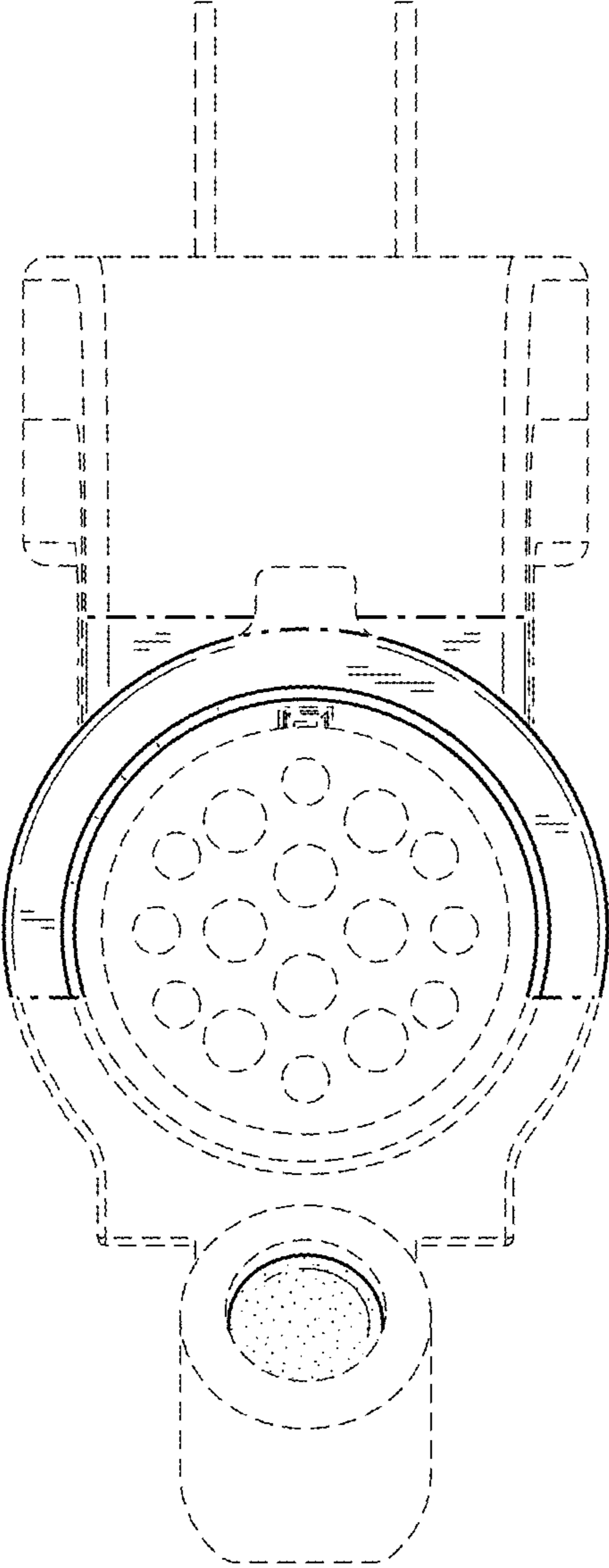


FIG. 8