



US00D718143S

(12) **United States Design Patent**
O'Donahue

(10) **Patent No.:** **US D718,143 S**

(45) **Date of Patent:** **** Nov. 25, 2014**

(54) **BOTTLE**

(71) Applicant: **Bath & Body Works Brand Management, Inc.**, Reynoldsburg, OH (US)

(72) Inventor: **Samuel Dominic O'Donahue**, New York, NY (US)

(73) Assignee: **Bath & Body Works Brand Management, Inc.**, Reynoldsburg, OH (US)

(**) Term: **14 Years**

(21) Appl. No.: **29/465,353**

(22) Filed: **Aug. 27, 2013**

(51) **LOC (10) Cl.** **09-01**

(52) **U.S. Cl.**

USPC **D9/529**

(58) **Field of Classification Search**

USPC D6/452-545; D7/300, 321, 392.1, D7/396.2, 500, 507, 509, 510, 511, 900; D9/434-448, 452-455, 682, 685, 694; 215/200, 235, 236, 252, 254, 329, 215/355-364; 220/203.04-203.07, 220, 220/254.1, 254.4, 556, 703, 704, 705

See application file for complete search history.

(56) **References Cited**

U.S. PATENT DOCUMENTS

D292,889 S * 11/1987 Ostrowsky D9/449
D376,980 S * 12/1996 LoPreto D9/542
D415,031 S * 10/1999 Mahlmann D9/520
D429,629 S * 8/2000 Kuzma et al. D9/682

D434,324 S * 11/2000 Gobe D9/504
D439,516 S * 3/2001 Bakic D9/449
D526,568 S * 8/2006 Bakic D9/558
D617,190 S * 6/2010 Holmes et al. D9/449
D617,201 S * 6/2010 Holmes et al. D9/541

OTHER PUBLICATIONS

Bath And Body Works by ChaChing on a Shoestring dated Oct. 18, 2013. found online [Aug. 7, 2014] bath-body-works-free-signature-collection-travel-size-body-lotion.*

* cited by examiner

Primary Examiner — Robert M Spear

Assistant Examiner — Marissa Cash

(74) *Attorney, Agent, or Firm* — Andrus Intellectual Property Law, LLP

(57) **CLAIM**

The ornamental design for a bottle, as shown and described.

DESCRIPTION

FIG. 1 is a front isometric view of a second embodiment of a bottle;

FIG. 2 is a front view thereof;

FIG. 3 is a back view thereof;

FIG. 4 is a right side view thereof;

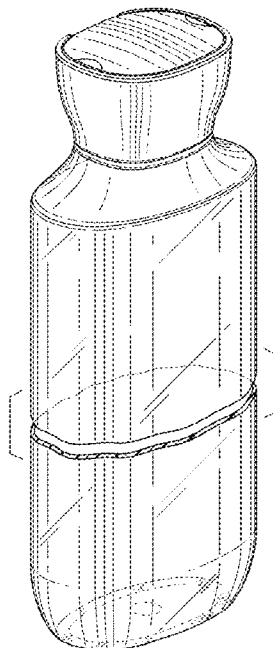
FIG. 5 is a left side view thereof;

FIG. 6 is top view thereof; and,

FIG. 7 is a bottom view thereof.

The broken lines in the drawings represent subject matter that forms no part of the claim. The middle region of the bottle is shown broken away to indicate that the precise height of the bottle is not claimed. The appearance of any portion of the bottle between the two break lines forms no part of the claim.

1 Claim, 5 Drawing Sheets



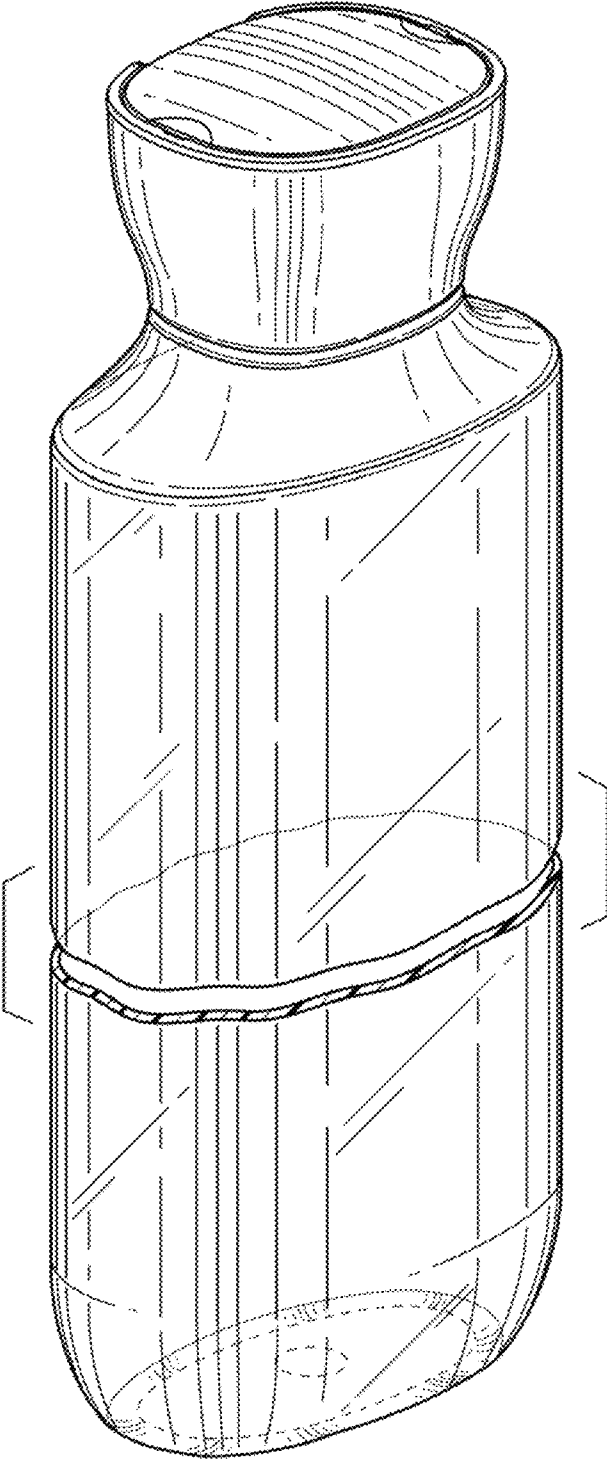


FIG. 1

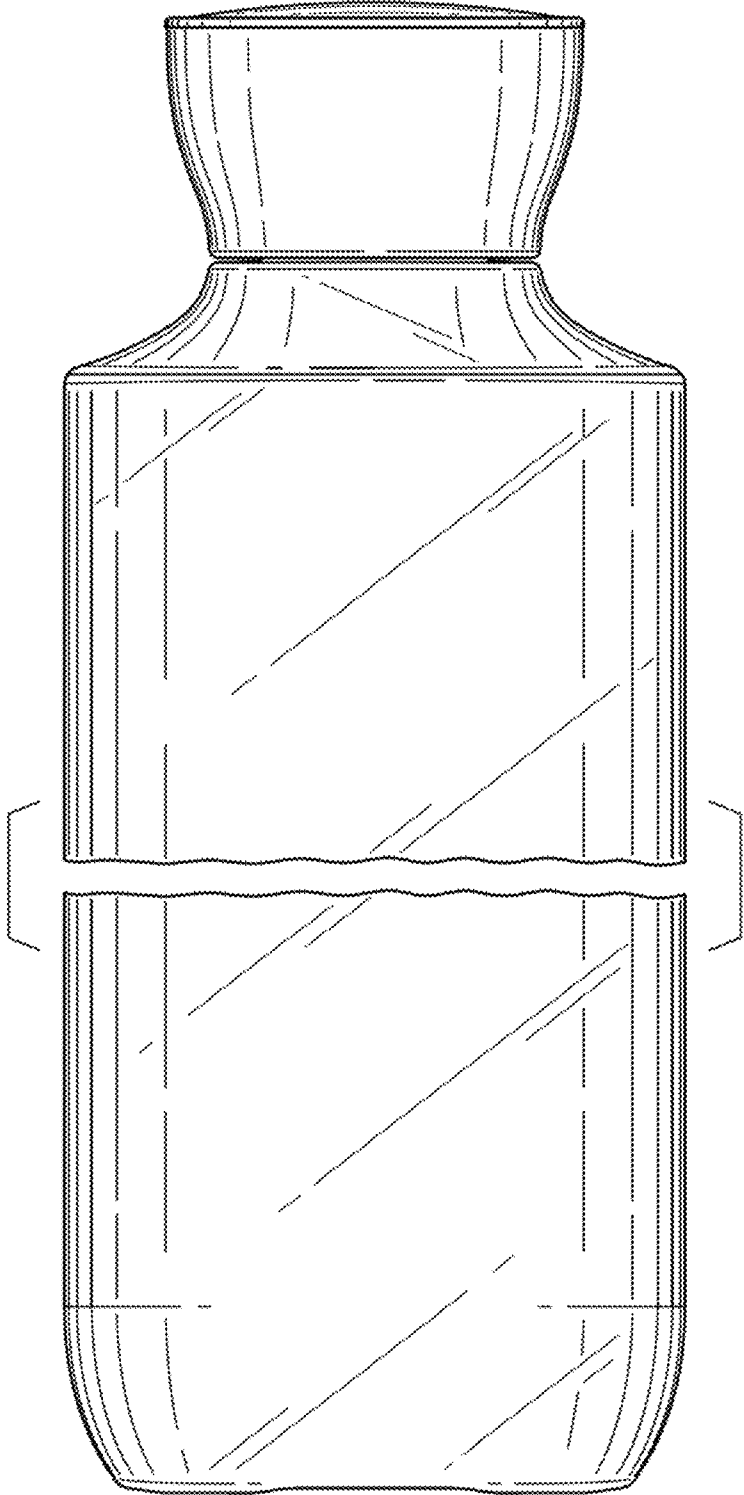


FIG. 2

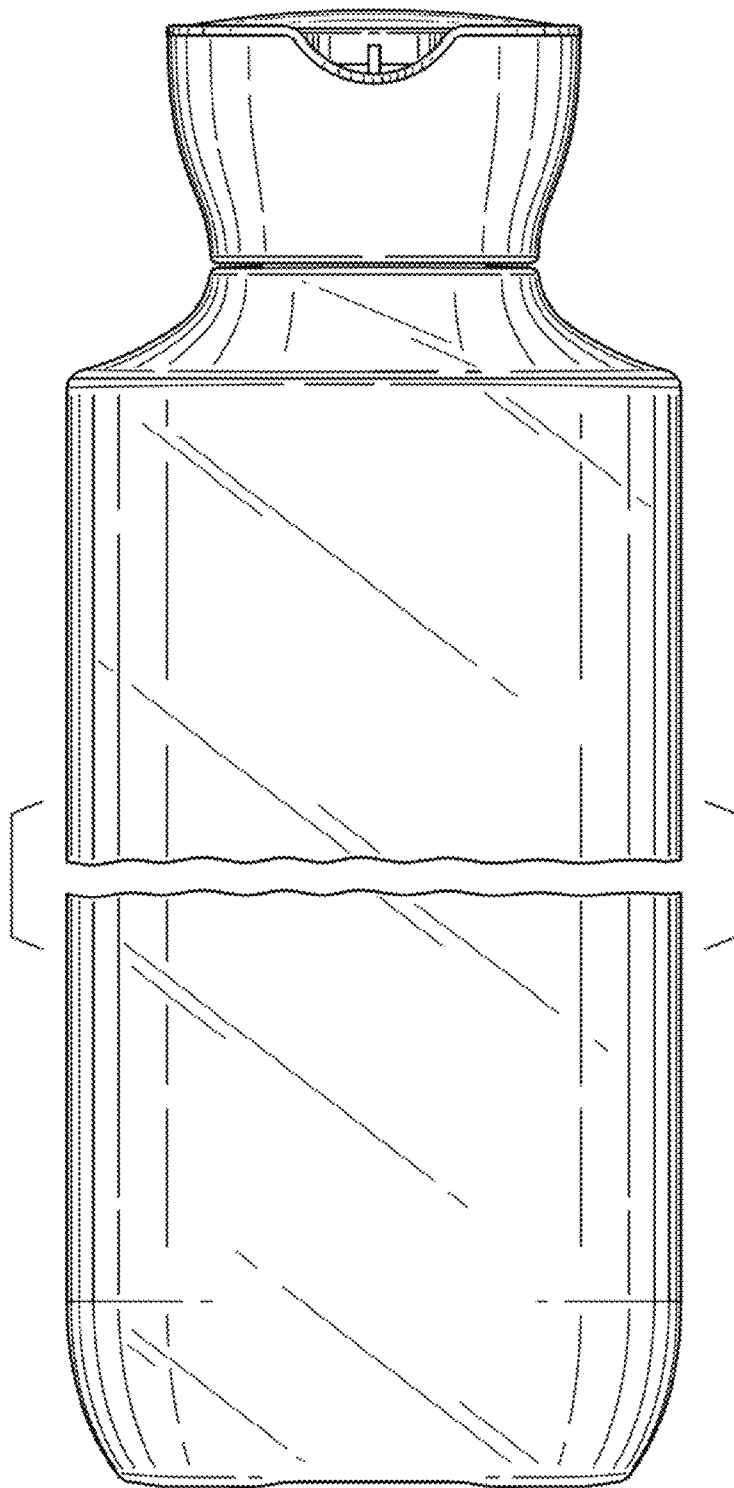


FIG. 3

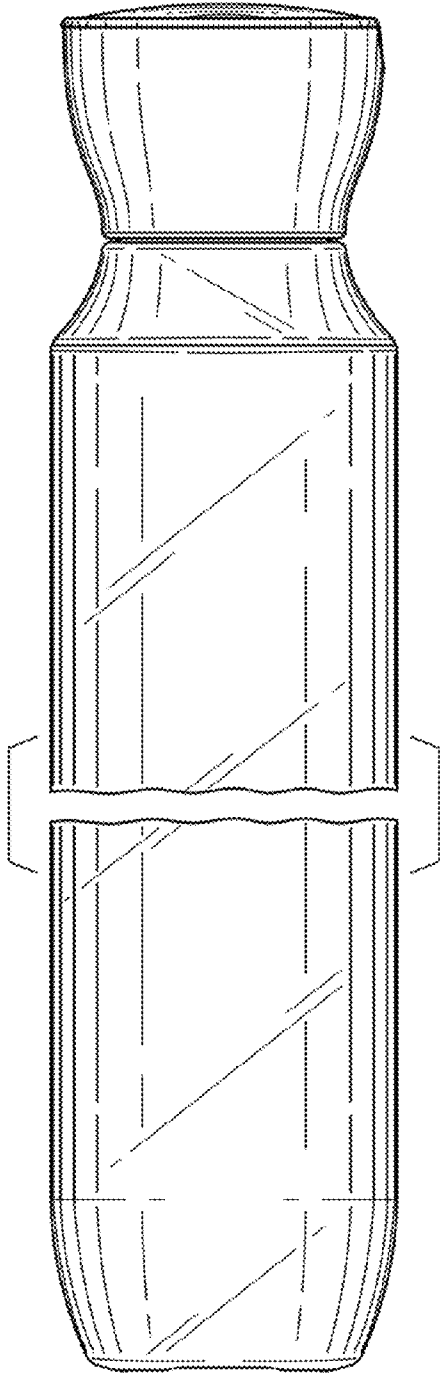


FIG. 4

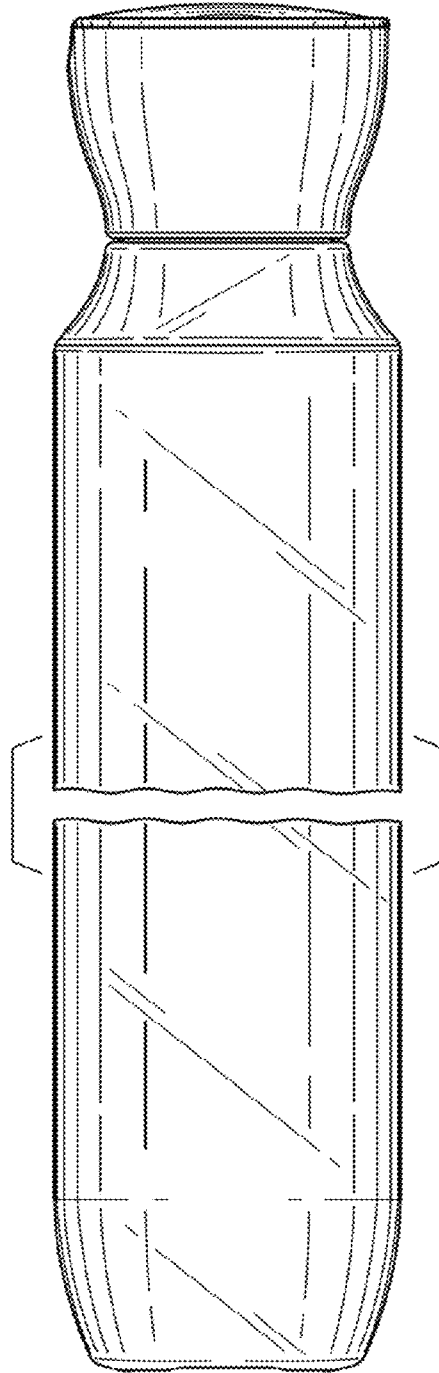


FIG. 5

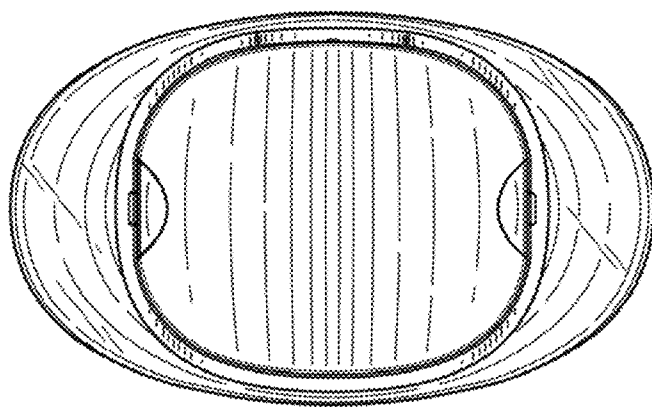


FIG. 6

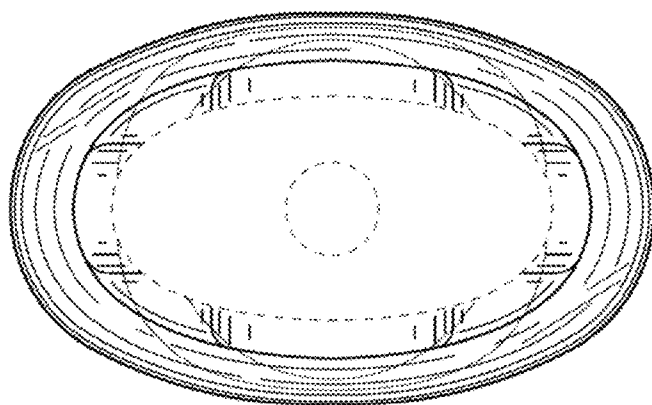


FIG. 7