



US00D730733S

(12) **United States Design Patent**  
**O'Donahue**

(10) **Patent No.:** **US D730,733 S**

(45) **Date of Patent:** **\*\* Jun. 2, 2015**

(54) **BOTTLE**

(71) Applicant: **Bath & Body Works Brand Management, Inc.**, Reynoldsburg, OH (US)

(72) Inventor: **Samuel Dominic O'Donahue**, New York, NY (US)

(73) Assignee: **Bath & Body Works Brand Management, Inc.**, Reynoldsburg, OH (US)

(\*\*) Term: **14 Years**

(21) Appl. No.: **29/510,659**

(22) Filed: **Dec. 2, 2014**

**Related U.S. Application Data**

(62) Division of application No. 29/465,559, filed on Aug. 29, 2013.

(51) **LOC (10) Cl.** ..... **09-07**

(52) **U.S. Cl.**  
USPC ..... **D9/448**

(58) **Field of Classification Search**

USPC ..... D9/682-694, 763, 782, 516, 520, 529, D9/544, 571-575, 448, 435, 436, 447, D9/449; 215/379, 382-384; 220/669-675; 222/153.1-153.14, 631, 635, 209, 210, 222/211, 321.1-321.5, 321.6-322, 222/323-327, 330, 331, 372-379, 383.3, 222/383.1, 386, 389, 398, 400.5-401, 222/402-402.25; D6/542  
CPC ..... B65D 2501/0081; B65D 1/0223; B65D 83/00033; B65D 83/32; B65D 83/38; A47K 5/12; A47K 5/1202; A47K 5/1204; A47K 5/1205; A47K 5/1208; A47K 5/1211; A47K 5/14; B05B 11/0037; B05B 11/3011; B05B 11/3047; B05B 11/302; B05B 11/3004; B05B 11/3005; B05B 11/3007; B05B 11/3008; B05B 11/3009; B05B 11/3012; B05B 11/3014; B05B 11/3015; B05B 11/3016; B05B 11/3018; B05B 11/3019;

B05B 11/3021; B05B 11/3022; B05B 11/3023; B05B 11/3025; B05B 11/3026; B05B 11/3028; B05B 11/3029; B05B 11/303; B05B 11/3032; B05B 11/3033; B05B 11/3035; B05B 11/3036; B05B 11/3087  
See application file for complete search history.

(56) **References Cited**

U.S. PATENT DOCUMENTS

D27,261 S 6/1897 Beach  
D53,445 S 6/1919 Humphery  
(Continued)

FOREIGN PATENT DOCUMENTS

CN 300935503 \* 6/2009  
CN 302174255 \* 11/2012  
(Continued)

OTHER PUBLICATIONS

Deep Cleansing Hand Soap, by Bath & Body Works, <http://www.bathandbodyworks.com/product/index.jsp?productId=17818566&cp=12587004.12936131.4191861>, web site visited on May 16, 2013.

(Continued)

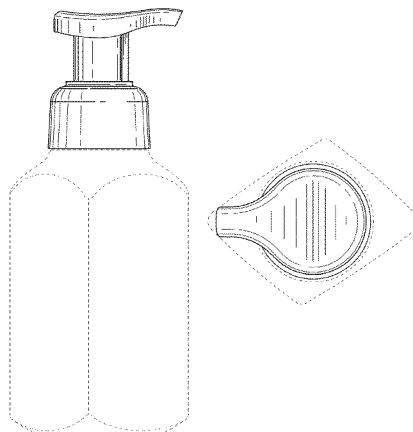
*Primary Examiner* — Catherine Tuttle  
(74) *Attorney, Agent, or Firm* — Andrus Intellectual Property Law, LLP

(57) **CLAIM**  
The ornamental design for a bottle, as shown and described.

**DESCRIPTION**

FIG. 1 is a front isometric view of a bottle;  
FIG. 2 is a back view thereof;  
FIG. 3 is a front view thereof;  
FIG. 4 is a left side view thereof;  
FIG. 5 is a right side view thereof;  
FIG. 6 is top view thereof; and,  
FIG. 7 is a bottom view thereof.  
The broken lines in FIGS. 1-7 are included for the purpose of illustrating the portions of the bottle that form no part of the claimed design.

**1 Claim, 5 Drawing Sheets**



(56)

References Cited

U.S. PATENT DOCUMENTS

D87,401 S 7/1932 Nitardy  
 D92,148 S 5/1934 McGiveran  
 D234,077 S 1/1975 Peterson  
 D253,398 S \* 11/1979 Niemeyer et al. .... D9/448  
 D261,107 S 10/1981 Harris  
 D261,108 S 10/1981 Harris  
 D273,564 S 4/1984 Spielhoff  
 D322,399 S 12/1991 Cromer  
 D324,820 S 3/1992 Hayman et al.  
 D352,657 S 11/1994 Gonda et al.  
 D362,391 S 9/1995 Gobe  
 D371,295 S \* 7/1996 Wadsworth et al. .... D9/448  
 D372,859 S 8/1996 Lathrop et al.  
 D389,059 S 1/1998 Mascitelli  
 D392,887 S 3/1998 Wadsworth  
 D394,210 S 5/1998 Fiore  
 D398,529 S 9/1998 Mascitelli  
 D418,418 S 1/2000 Wadsworth  
 D419,864 S 2/2000 Kuzma et al.  
 D423,370 S 4/2000 Lewin  
 D427,527 S \* 7/2000 Wise ..... D9/448  
 D433,932 S 11/2000 Kuzma et al.  
 D445,686 S \* 7/2001 Danielo et al. .... D9/448  
 D452,822 S \* 1/2002 Boshuizen et al. .... D9/448  
 D476,902 S 7/2003 Snyder  
 D536,972 S \* 2/2007 van der Heijden et al. .... D6/542  
 D536,973 S \* 2/2007 van der Heijden et al. .... D6/542  
 D547,655 S \* 7/2007 van der Heijden et al. .... D9/448  
 D549,109 S 8/2007 Jones  
 D558,050 S 12/2007 Urcun  
 D563,233 S 3/2008 Patzak et al.  
 D568,154 S \* 5/2008 Arminak ..... D9/448

D578,395 S 10/2008 Kuzma et al.  
 D588,006 S \* 3/2009 Boes et al. .... D9/448  
 D594,345 S 6/2009 Short et al.  
 D598,750 S 8/2009 Boes et al.  
 D607,744 S 1/2010 Laird et al.  
 D608,213 S 1/2010 Kuzma et al.  
 D615,411 S 5/2010 Kuzma et al.  
 D617,646 S 6/2010 Kuzma et al.  
 D623,532 S 9/2010 Kuzma et al.  
 D702,130 S 4/2014 Handy  
 2003/0129142 A1 7/2003 Schroeder et al.  
 2013/0048755 A1 2/2013 Uehira et al.  
 2013/0254136 A1 9/2013 Ciavarella et al.

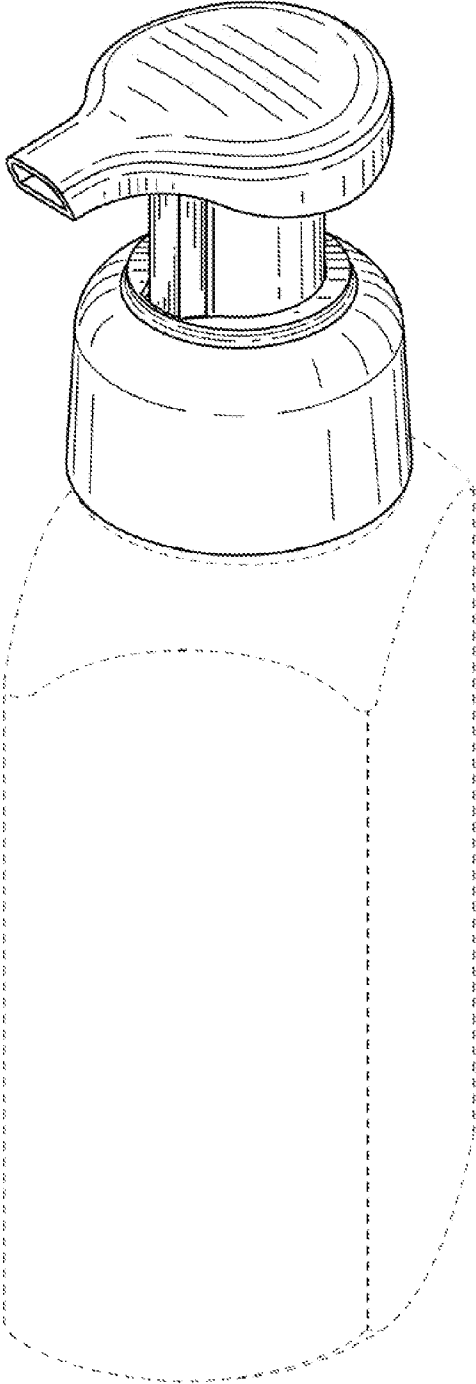
FOREIGN PATENT DOCUMENTS

EM 001709494-0001 7/2010  
 EM 001945510-0001 3/2013  
 JP D1242991 \* 6/2005  
 JP D1243472 \* 6/2005  
 JP D1243473 \* 6/2005

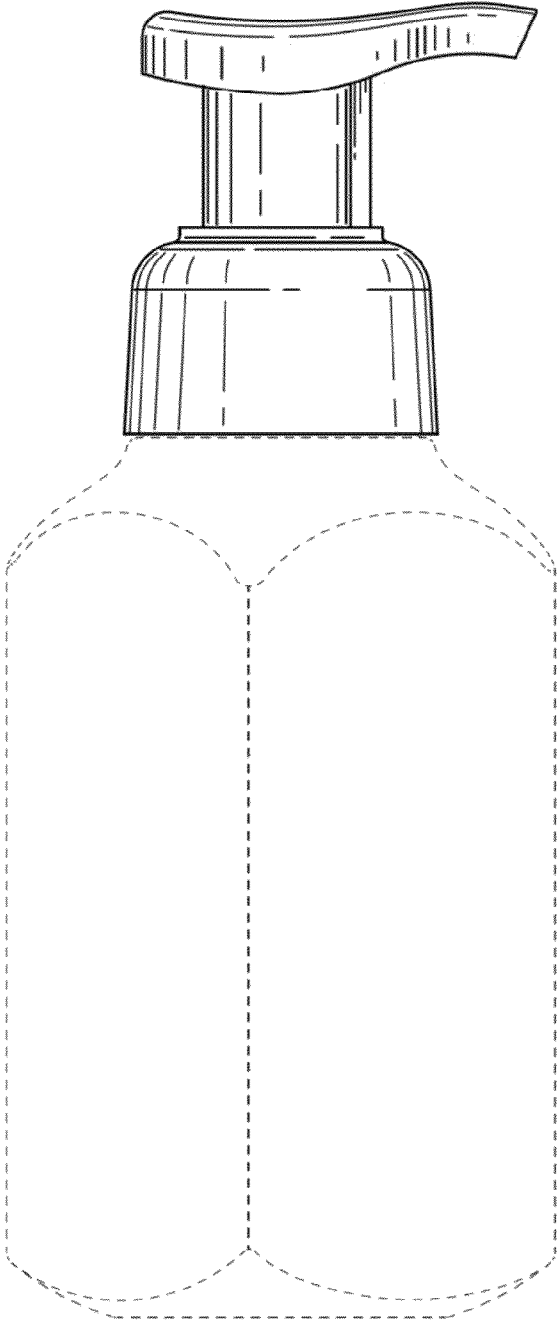
OTHER PUBLICATIONS

Gentle Foaming Hand Soap, by Bath & Body Works, <http://www.bathandbodyworks.com/product/index.jsp?productId=17818476&cp=12587004.12936131.4191863>, web site visited on May 16, 2013.  
 Moisturizing Hand Soap, by Bath & Body Works, <http://www.bathandbodyworks.com/product/index.jsp?productId=11085406&cp=12587004.12936131.4191868>, web site visited on May 16, 2013.

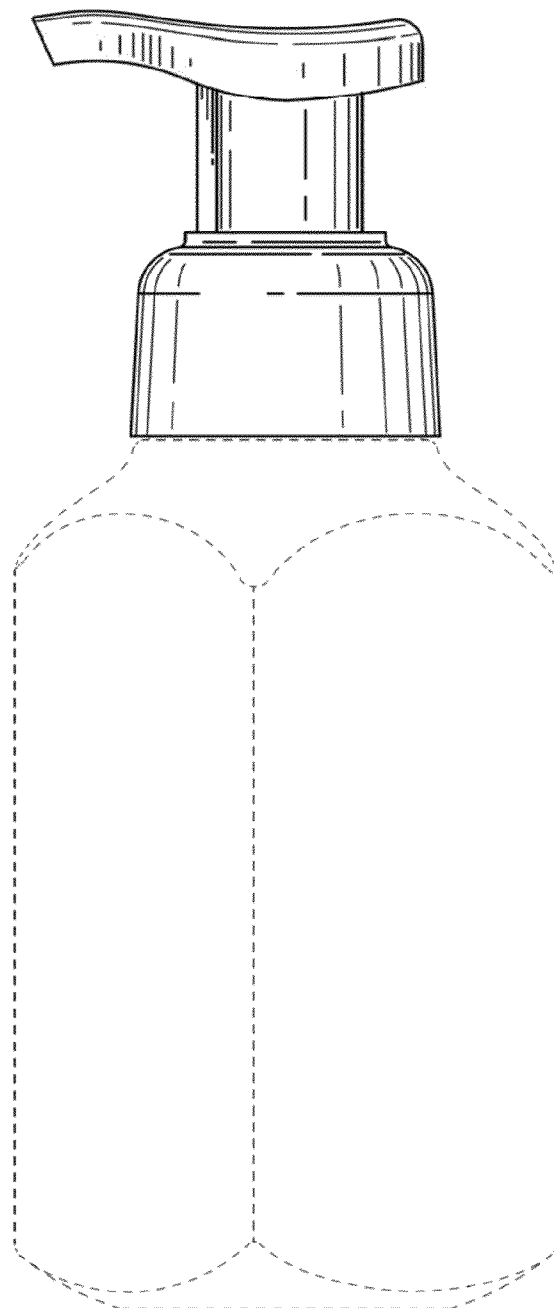
\* cited by examiner



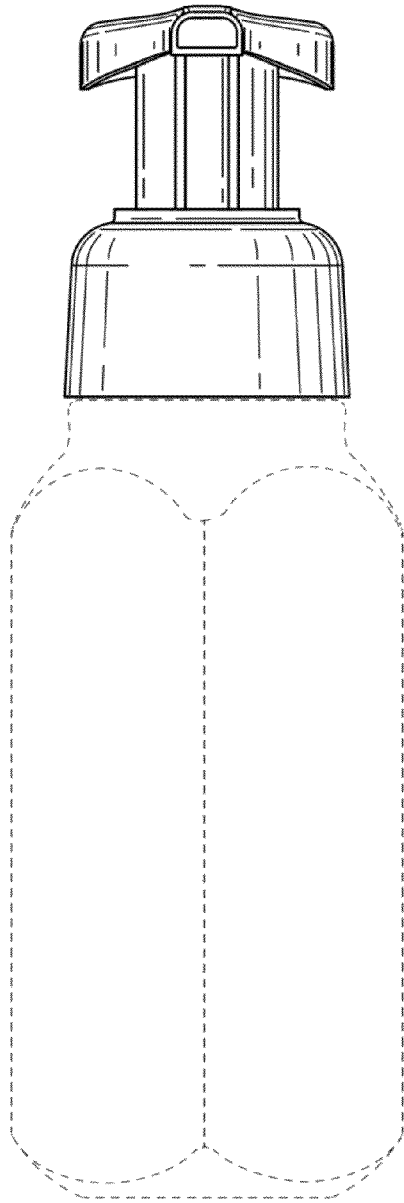
**FIG. 1**



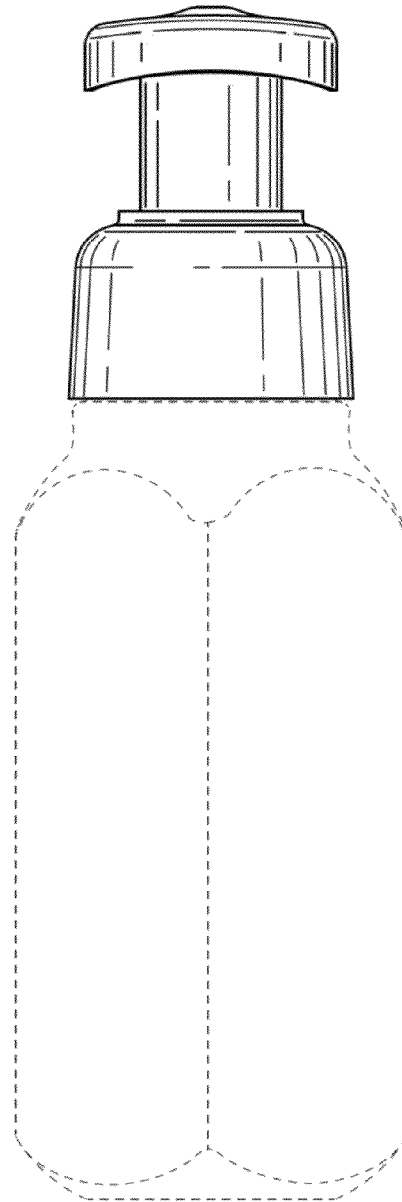
**FIG. 2**



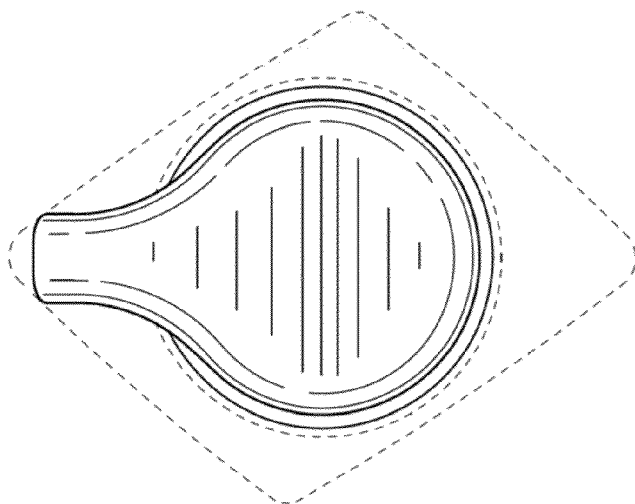
**FIG. 3**



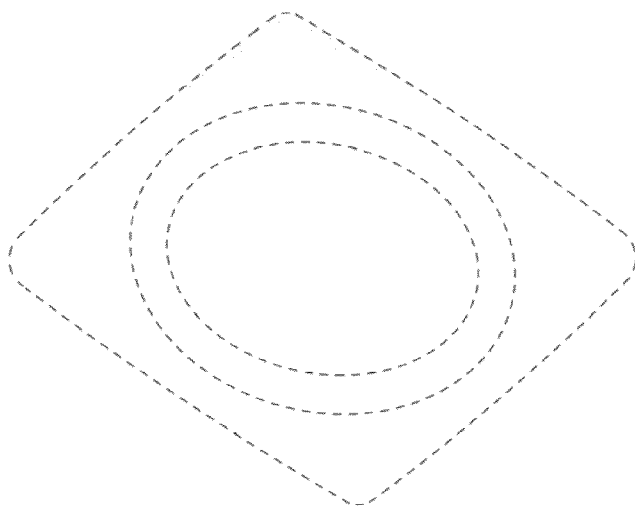
**FIG. 4**



**FIG. 5**



**FIG. 6**



**FIG. 7**