



US00D753490S

(12) **United States Design Patent**
O'Donahue

(10) **Patent No.:** **US D753,490 S**

(45) **Date of Patent:** **** Apr. 12, 2016**

(54) **BOTTLE CARRIER**

(71) Applicant: **Bath & Body Works Brand Management, Inc.**, Reynoldsburg, OH (US)

(72) Inventor: **Samuel Dominic O'Donahue**, New York, NY (US)

(73) Assignee: **Bath & Body Works Brand Management, Inc.**, Reynoldsburg, OH (US)

(**) Term: **15 Years**

(21) Appl. No.: **29/527,559**

(22) Filed: **May 20, 2015**

(51) **LOC (10) Cl.** **09-07**

(52) **U.S. Cl.**
USPC **D9/455**

(58) **Field of Classification Search**
USPC D7/387, 391, 392, 392.1, 397, 404, D7/602; D9/434-436, 440, 443-445, 447, D9/449, 450, 453-455, 499; 99/410; 215/11.4

CPC A61J 1/2031
See application file for complete search history.

(56) **References Cited**

U.S. PATENT DOCUMENTS

D343,548 S *	1/1994	Helfer	D7/387
D365,024 S *	12/1995	DuBow	D9/434
D390,111 S *	2/1998	McCarrick	D10/103
D390,461 S *	2/1998	Piselli	D9/435
D441,652 S *	5/2001	Valentine, Jr.	D9/434
D485,404 S *	1/2004	Del Prato	D34/6
D528,359 S *	9/2006	Laib	D7/392.1
D590,667 S *	4/2009	Trombly	D7/615
D591,149 S *	4/2009	Bonner	D9/434
D610,006 S *	2/2010	Ortell	D9/454
D610,868 S *	3/2010	Andersson	D7/213

D623,056 S *	9/2010	Sessa	D11/26
D623,061 S *	9/2010	Wong	D9/454
D668,308 S *	10/2012	Gilmore	D21/803
D680,369 S *	4/2013	Starks	D7/392.1
D731,241 S *	6/2015	Yessin	D7/392.1

OTHER PUBLICATIONS

Bath & Body Works. Soap & Sanitizer Accessories. 2016 [online]. Sited visited Jan. 6, 2016. Available from Internet, <URL: <http://www.bathandbodyworks.com/family/index.jsp?categoryId=11443729>>.*

* cited by examiner

Primary Examiner — Robert M Spear

Assistant Examiner — Darcey E Heflin

(74) *Attorney, Agent, or Firm* — Andrus Intellectual Property Law, LLP

(57) **CLAIM**

The ornamental design for a bottle carrier, as shown and described.

DESCRIPTION

FIG. 1 is a front, top perspective view of a bottle carrier according to my new and ornamental design, wherein a rear, bottom perspective view thereof is a mirror image;

FIG. 2 is a front view thereof;

FIG. 3 is a rear view thereof;

FIG. 4 is a right side view thereof;

FIG. 5 is a left side view thereof;

FIG. 6 is a top view thereof;

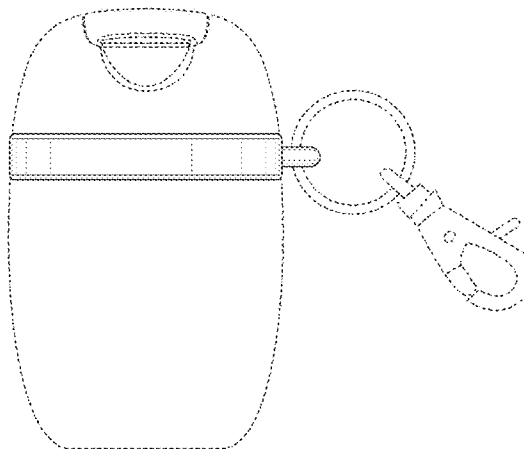
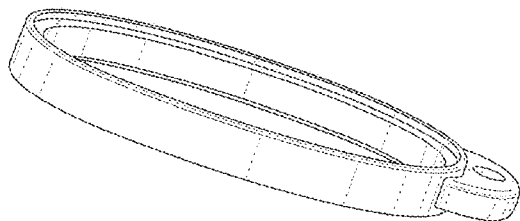
FIG. 7 is a bottom view thereof;

FIG. 8 is a front view thereof showing the bottle carrier in use with a bottle and a key chain; and,

FIG. 9 is a front view thereof showing the bottle carrier in use with a bottle.

In FIGS. 8 and 9, the broken lines are directed to environment and are for illustrative purposes only; the broken lines form no part of the claimed design.

1 Claim, 6 Drawing Sheets



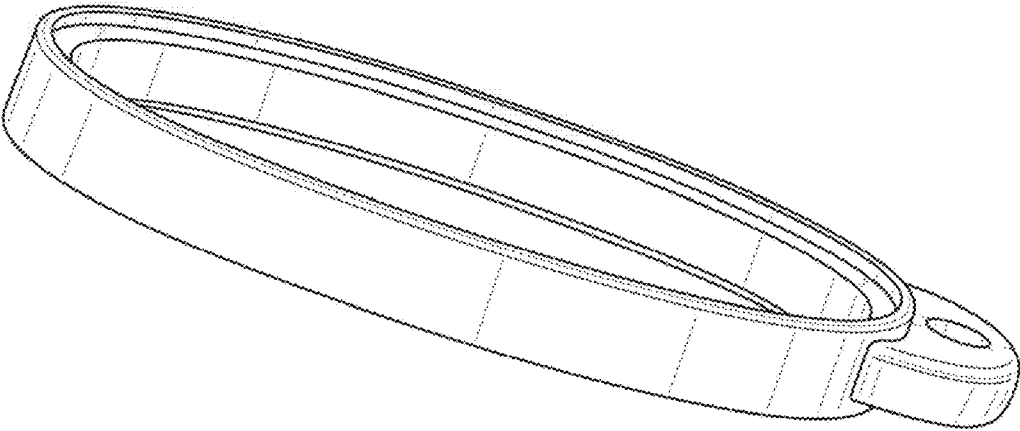


FIG. 1

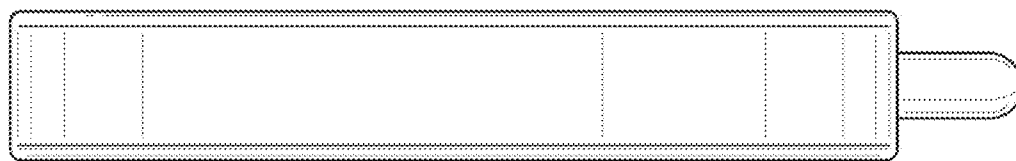


FIG. 2

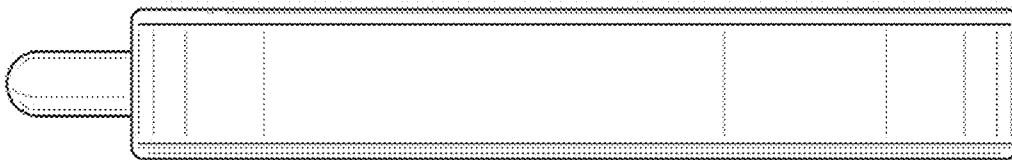


FIG. 3

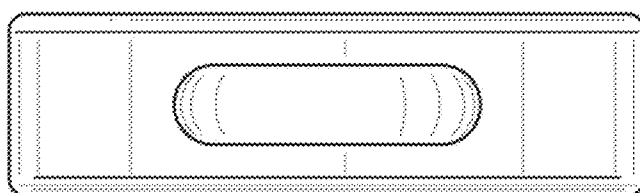


FIG. 4

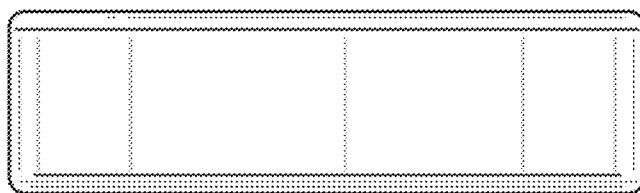


FIG. 5

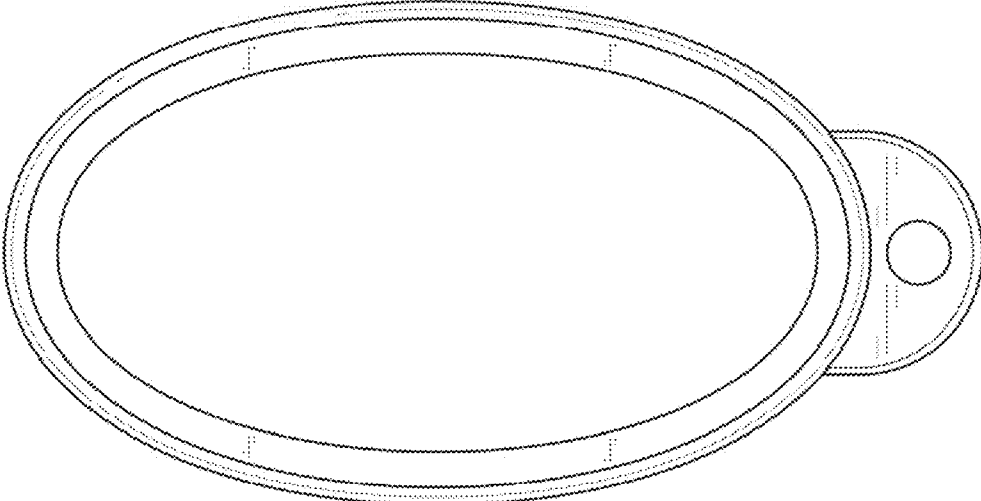


FIG. 6

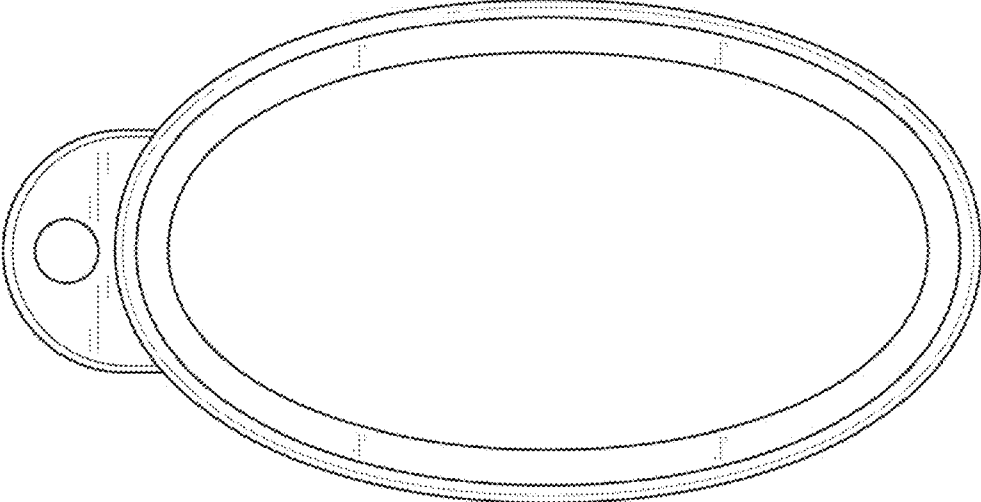


FIG. 7

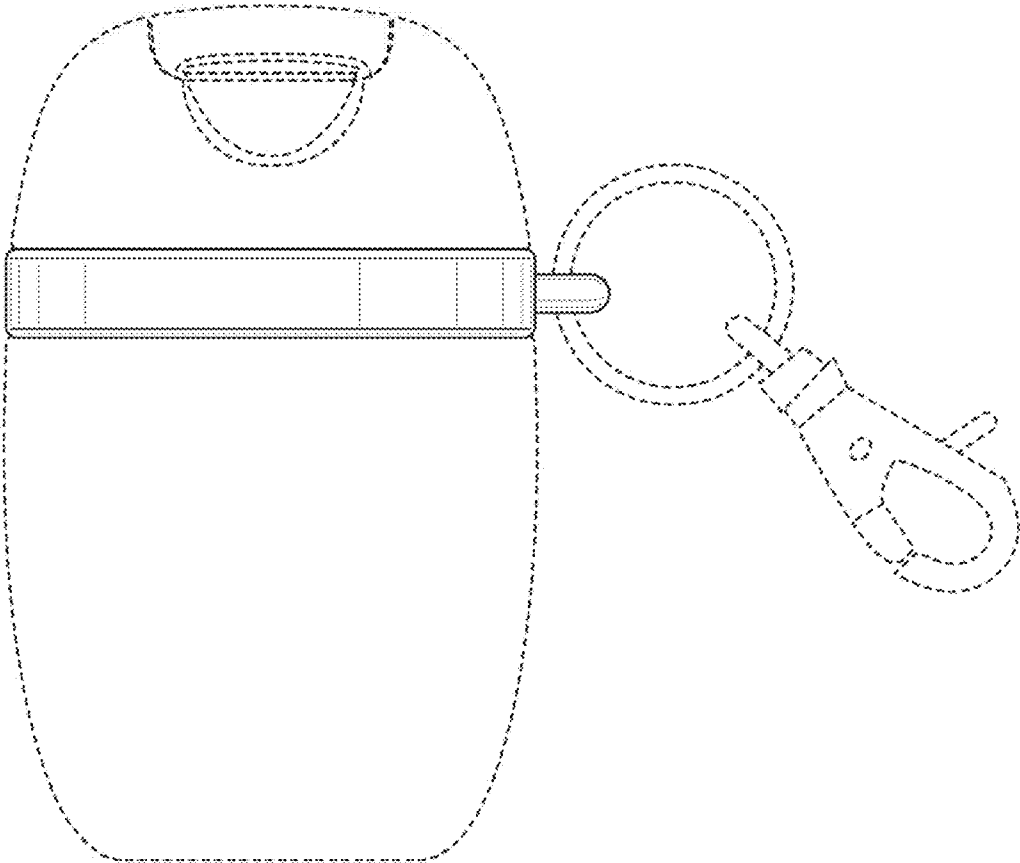


FIG. 8

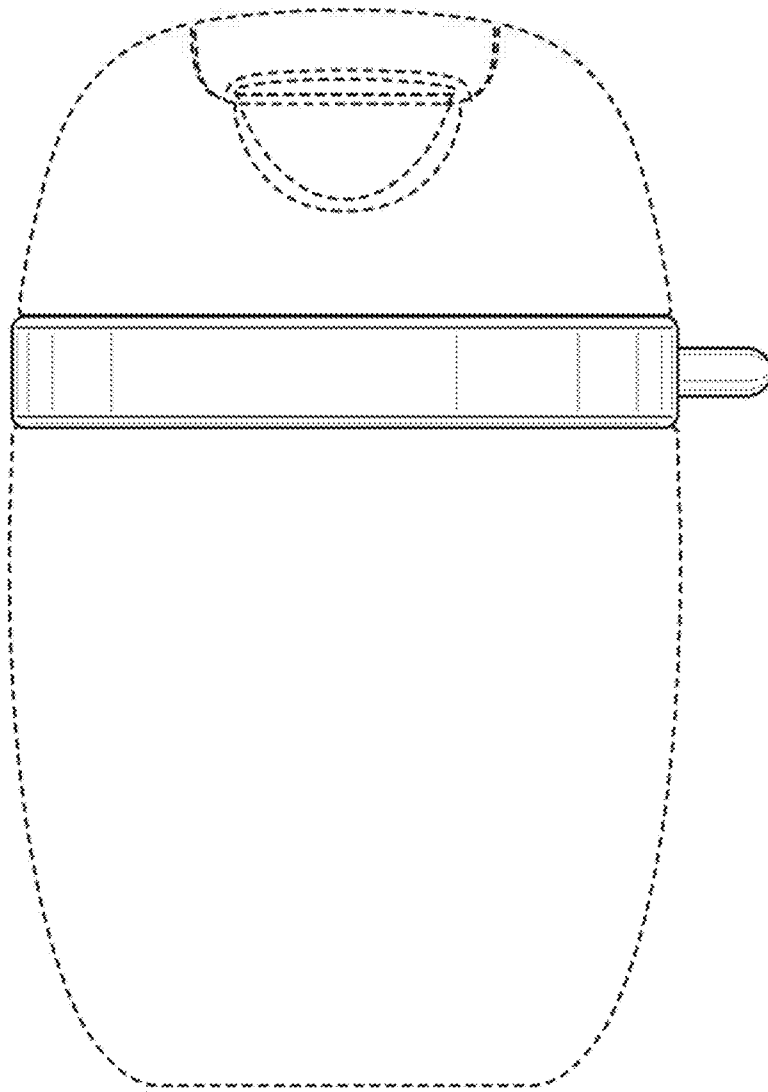


FIG. 9