



US00D753909S

(12) **United States Design Patent**
Tulencik et al.

(10) **Patent No.:** **US D753,909 S**

(45) **Date of Patent:** **** Apr. 19, 2016**

(54) **BOTTLE CARRIER**

FOREIGN PATENT DOCUMENTS

(71) Applicant: **Bath & Body Works Brand Management, Inc.**, Reynoldsburg, OH (US)

CA	144552	9/2012
CA	144553	9/2012
CN	104522990 A	4/2015

(72) Inventors: **Jennifer Tulencik**, Columbus, OH (US);
Heidi Valentino, New York, NY (US);
Lyndsi Martin, Newark, OH (US)

OTHER PUBLICATIONS

Notice of Grant of Patent Right for Design issued in Chinese Design Appln. No. 201430539511.1, dated May 11, 2015.

(Continued)

(73) Assignee: **Bath & Body Works Brand Management, Inc.**, Reynoldsburg, OH (US)

Primary Examiner — John Windmuller

Assistant Examiner — Steven Czyz

(**) Term: **14 Years**

(74) *Attorney, Agent, or Firm* — Andrus Intellectual Property Law, LLP

(21) Appl. No.: **29/524,817**

(22) Filed: **Apr. 23, 2015**

(30) **Foreign Application Priority Data**

Dec. 19, 2014 (CN) 2014 3 0539108

(51) **LOC (10) Cl.** **03-01**

(52) **U.S. Cl.**
USPC **D3/202**

(58) **Field of Classification Search**
USPC D3/201, 202, 208, 211, 315, 321, 318,
D3/229; D9/455, 657; D6/513
CPC . A47F 5/0006; B65D 23/108; A47G 23/0241
See application file for complete search history.

(56) **References Cited**

U.S. PATENT DOCUMENTS

3,366,360	A *	1/1968	Burke	A61M 5/1417
					215/399
D270,966	S *	10/1983	Lynn	D3/29
D318,017	S *	7/1991	Patterson	D7/622
D321,885	S *	11/1991	Sheldrake	D14/138 R
D333,784	S *	3/1993	Goodman	D3/302
D336,778	S *	6/1993	Miller	D3/208
D367,999	S *	3/1996	McCallum	D6/553

(Continued)

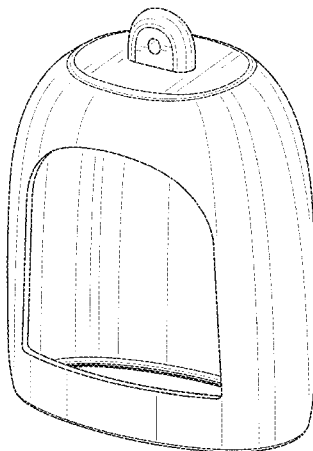
(57) **CLAIM**

The ornamental design for a bottle carrier, as shown and described.

DESCRIPTION

FIG. 1 is a rear perspective view of a bottle carrier according to our new and ornamental design;
FIG. 2 is a front view thereof;
FIG. 3 is a rear view thereof;
FIG. 4 is a left side view thereof;
FIG. 5 is a right side view thereof;
FIG. 6 is a top view thereof;
FIG. 7 is a bottom view thereof;
FIG. 8 is a rear perspective view of the second embodiment of a bottle carrier, wherein the front, rear, left side, right side, and top views of the second embodiment of the bottle carrier are identical to those of the first embodiment, respectively; and, FIG. 9 is a bottom view of FIG. 8 thereof.
The broken lines depict portions of the article that form no part of the claimed design.

1 Claim, 9 Drawing Sheets



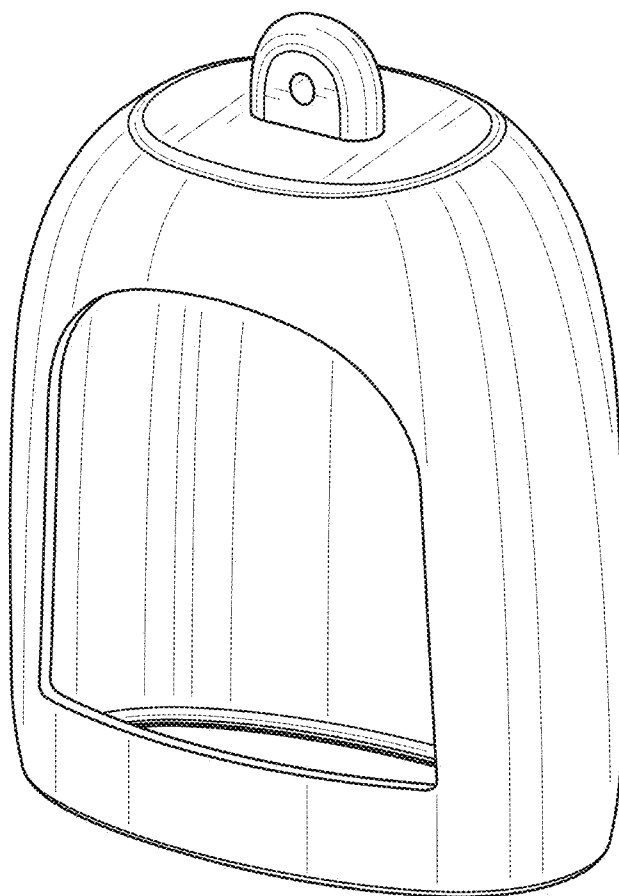


FIG. 1

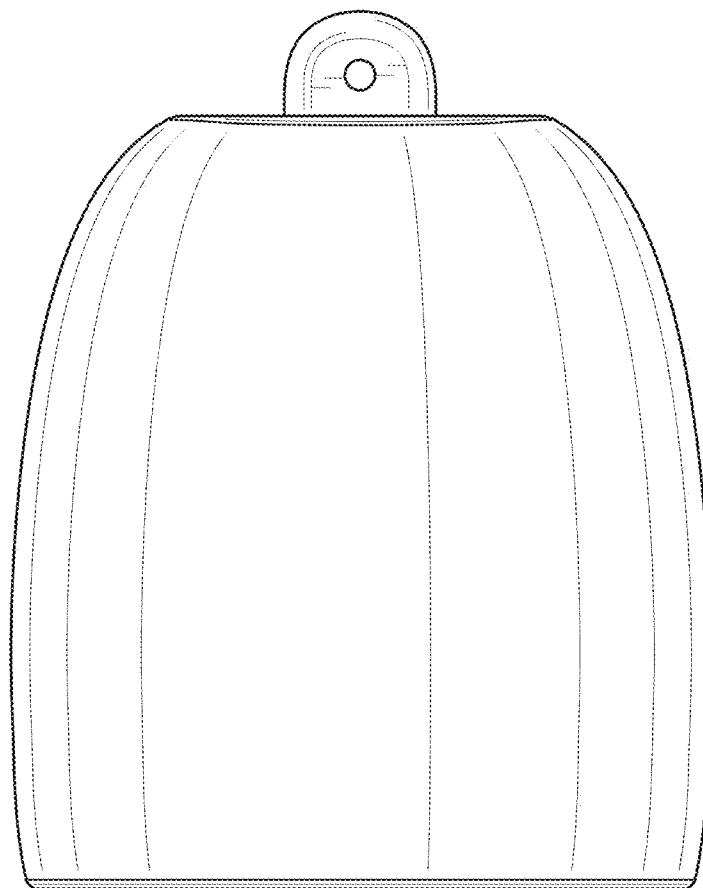


FIG. 2

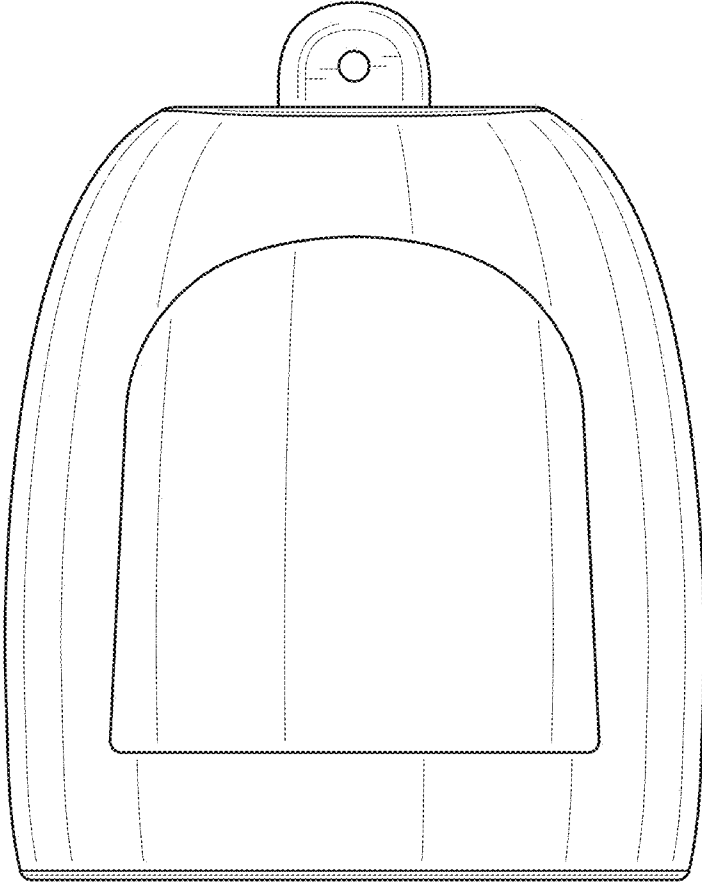


FIG. 3

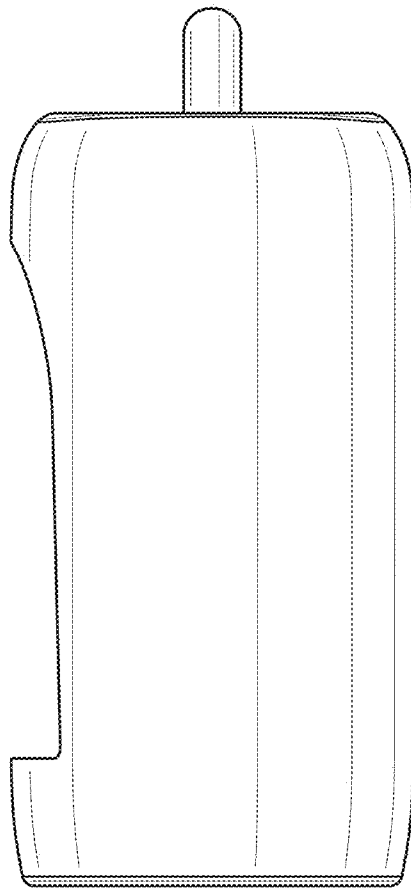


FIG. 4

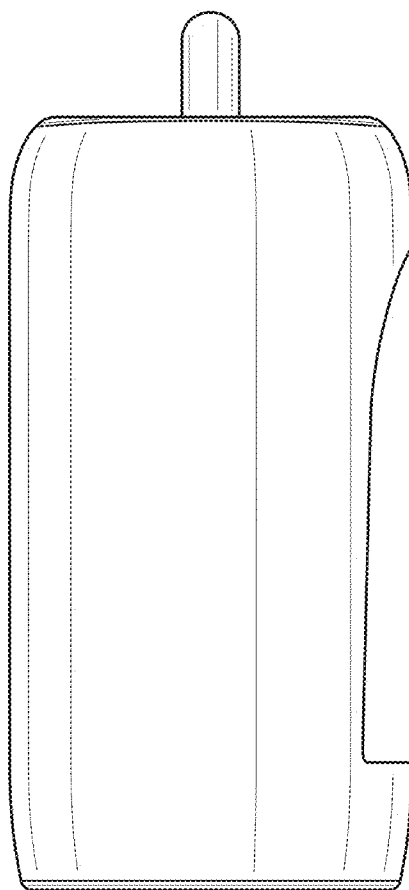


FIG. 5

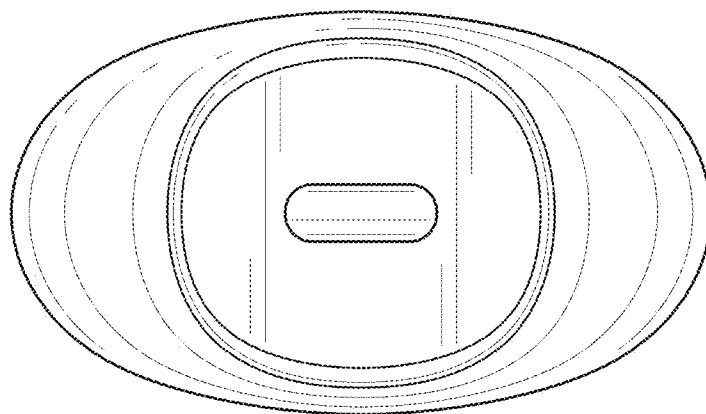


FIG. 6

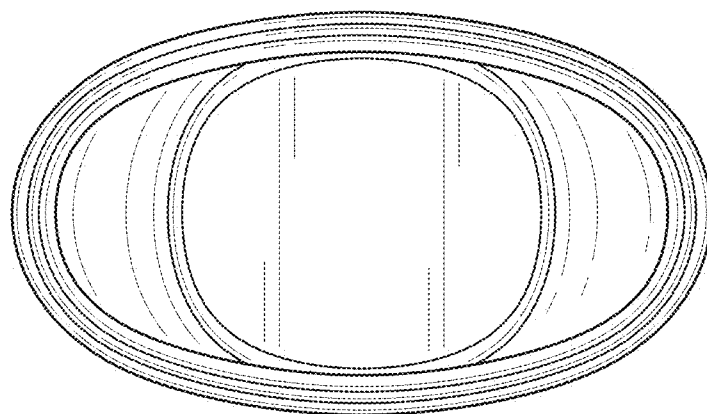


FIG. 7

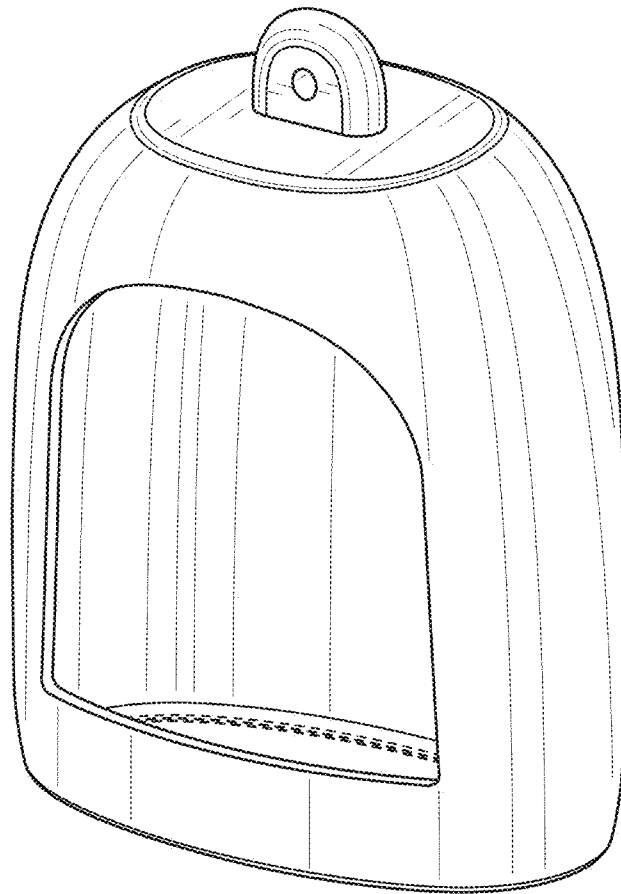


FIG. 8

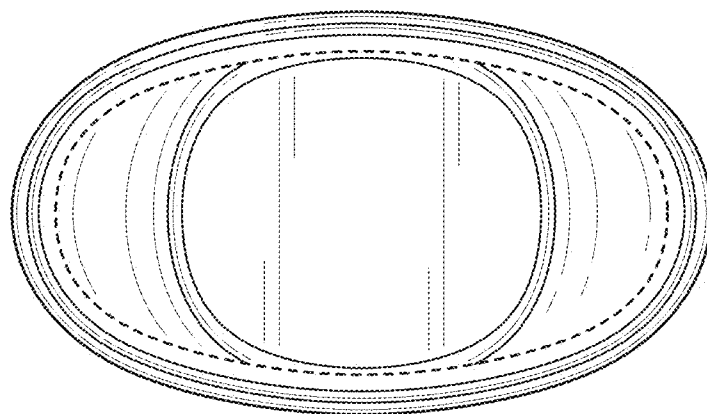


FIG. 9