



US00D779947S

(12) **United States Design Patent** (10) **Patent No.:** **US D779,947 S**
Tulencik et al. (45) **Date of Patent:** **** *Feb. 28, 2017**

(54) **BOTTLE CARRIER**

FOREIGN PATENT DOCUMENTS

(71) Applicant: **Bath & Body Works Brand Management, Inc.**, Reynoldsburg, OH (US)

CA 144552 9/2012
CA 144553 9/2012
CN 104522990 A 4/2014

OTHER PUBLICATIONS

(72) Inventors: **Jennifer Tulencik**, Columbus, OH (US); **Heidi Valentino**, New York, NY (US); **Lyndsi Martin**, Newark, OH (US)

Alibaba. Bath Body Works Hand Sanitizer Silicone Holders You Choose The Style—Dongguan Shunjin Plastic Products Co., Ltd. Apr. 15, 2015 [earliest online date], [site visited Sep. 14, 2016]. Available from Internet, <URL:https://www.alibaba.com/product-detail/bath-body-works-hand-sanitizer-silicone_60306216495.html>.*

(Continued)

(73) Assignee: **Bath & Body Works Brand Management, Inc.**, Reynoldsburg, OH (US)

Primary Examiner — Robert M Spear
Assistant Examiner — Darcey E Heflin
(74) *Attorney, Agent, or Firm* — Andrus Intellectual Property Law, LLP

(*) Notice: This patent is subject to a terminal disclaimer.

(**) Term: **14 Years**

(57) **CLAIM**

(21) Appl. No.: **29/524,825**

The ornamental design for a bottle carrier, as shown and described.

(22) Filed: **Apr. 23, 2015**

DESCRIPTION

(30) **Foreign Application Priority Data**

Dec. 19, 2014 (CN) 2014 3 0538952

(51) **LOC (10) Cl.** **09-07**

(52) **U.S. Cl.**
USPC **D9/455; D3/318**

(58) **Field of Classification Search**
USPC D3/202, 215, 318; D6/513; D9/434, 444, D9/446, 455, 499; D14/138 R; 215/399
(Continued)

FIG. 1 is a front perspective view of a bottle carrier according to Our new and ornamental design; FIG. 2 is a front view thereof; FIG. 3 is a back view thereof; FIG. 4 is a left side view thereof; FIG. 5 is a right side view thereof; FIG. 6 is a top view thereof; FIG. 7 is a bottom view thereof; and, FIG. 8 is a bottom view of an alternative embodiment of a bottle carrier according to our new and ornamental design, wherein the front perspective, front, back, left side, right side, and top views of the alternative embodiment of the bottle carrier are identical to those shown in FIGS. 1-6, respectively.

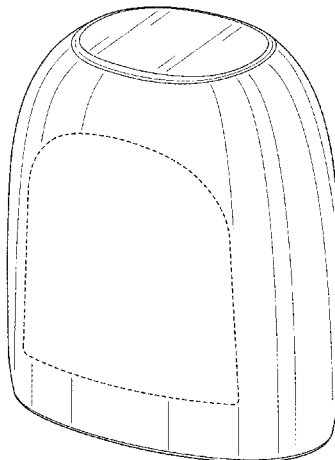
In FIGS. 1-5, the broken lines represent the boundaries of the claimed design; as such, the broken lines in FIGS. 1-5 and the areas within the broken lines form no part of the

(Continued)

(56) **References Cited**

U.S. PATENT DOCUMENTS

3,366,360 A 1/1968 Burke
D270,966 S 10/1983 Lynn
(Continued)



claimed design. In FIG. 8, the broken lines represent environmental structure of a lip that may be provided on the bottle carrier; as such, the interior surfaces of the bottle carrier are intended to be part of the claimed design, while the broken lines themselves form no part of the claimed design. The unshaded surfaces form no part of the claim.

1 Claim, 8 Drawing Sheets

(58) **Field of Classification Search**

CPC A45F 2005/008; A45F 5/10
See application file for complete search history.

(56)

References Cited

U.S. PATENT DOCUMENTS

D315,829 S *	4/1991	Covington	D3/202
D317,869 S *	7/1991	Kipperman	D9/435
D318,017 S	7/1991	Patterson		
D321,885 S	11/1991	Sheldrake		
D324,176 S *	2/1992	Patterson	D24/199
D327,431 S *	6/1992	Farricielli	D9/444
5,135,125 A *	8/1992	Andel	A61M 5/1417 215/12.1
D333,784 S	3/1993	Goodman		
D336,778 S	6/1993	Miller		
D367,999 S	3/1996	McCallum		
D407,210 S *	3/1999	Lauth, III	D3/202
D414,110 S	9/1999	Gueret		
D419,072 S	1/2000	Khaled		
D444,066 S	6/2001	Fenton et al.		
D446,007 S	8/2001	Gillilan		
D448,298 S *	9/2001	Simkins	D9/455
D455,258 S	4/2002	Goserud		
6,481,590 B1 *	11/2002	Simkins	A45F 5/00 215/12.1
D478,721 S	8/2003	Anderton		
D487,660 S	3/2004	Sayers et al.		
6,758,453 B1	7/2004	Ralko		
D507,870 S	8/2005	Anderton		
D510,479 S	10/2005	Ellis		
D512,910 S	12/2005	Haslam		
D523,302 S	6/2006	Mandell et al.		
D534,889 S *	1/2007	Cheng	D14/138 R
D549,099 S	8/2007	Edwards		
D581,010 S	11/2008	Sparks et al.		
D583,903 S	12/2008	Sparks et al.		
D584,146 S *	1/2009	Lown	D3/202
D585,224 S	1/2009	Hwang		
D594,745 S	6/2009	Hecht		
D626,409 S	11/2010	Hooley		
D644,427 S	9/2011	Cunningham et al.		
D648,522 S	11/2011	Gorman		
D675,446 S	2/2013	Cohee et al.		
D696,006 S	12/2013	Lee et al.		
D703,040 S	4/2014	White		
D707,041 S	6/2014	Park et al.		
D712,135 S	9/2014	Huang et al.		
D738,726 S	9/2015	Peluso		
D753,909 S *	4/2016	Tulencik	D3/202
D764,787 S	8/2016	Montminy		

OTHER PUBLICATIONS

Notice of Grant of Patent Right for Design issued in Chinese Design Appln. No. 201430539511.1, dated May 11, 2015.
 Notice of Grant of Patent Right for Design issued in Chinese Design Appln. No. 201430539108.9, dated May 11, 2015.
 Notice of Grant of Patent Right for Design issued in corresponding Chinese Design Appln. No. 201430538952.X, dated May 11, 2015.

* cited by examiner

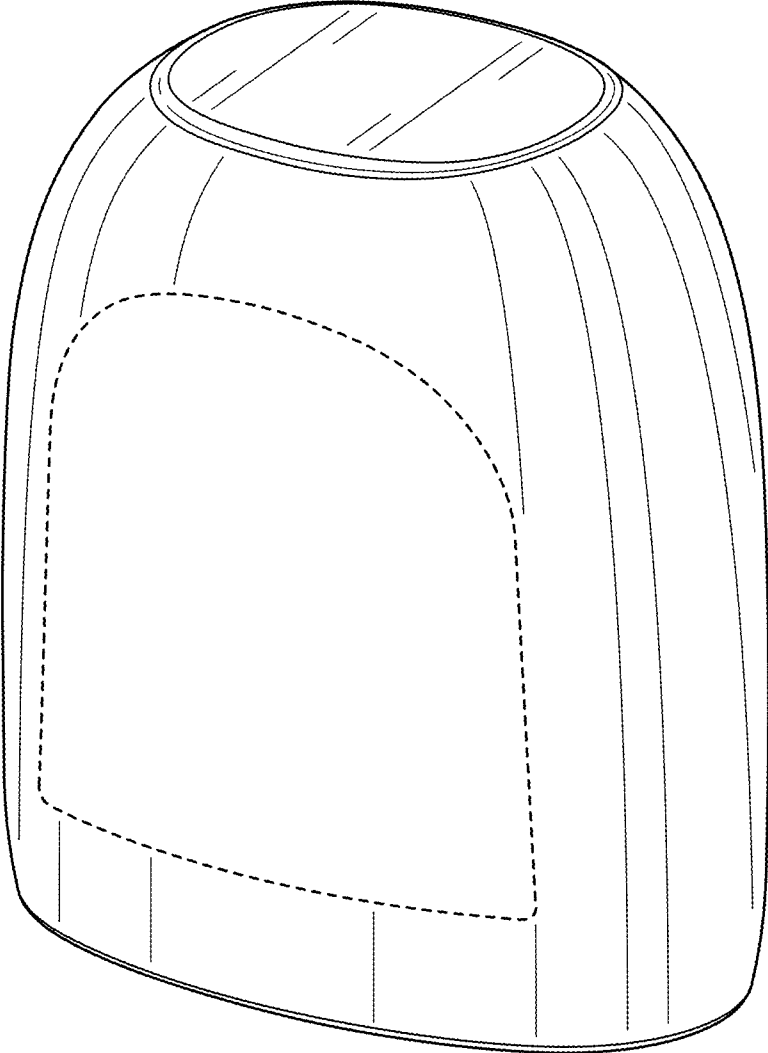


FIG. 1

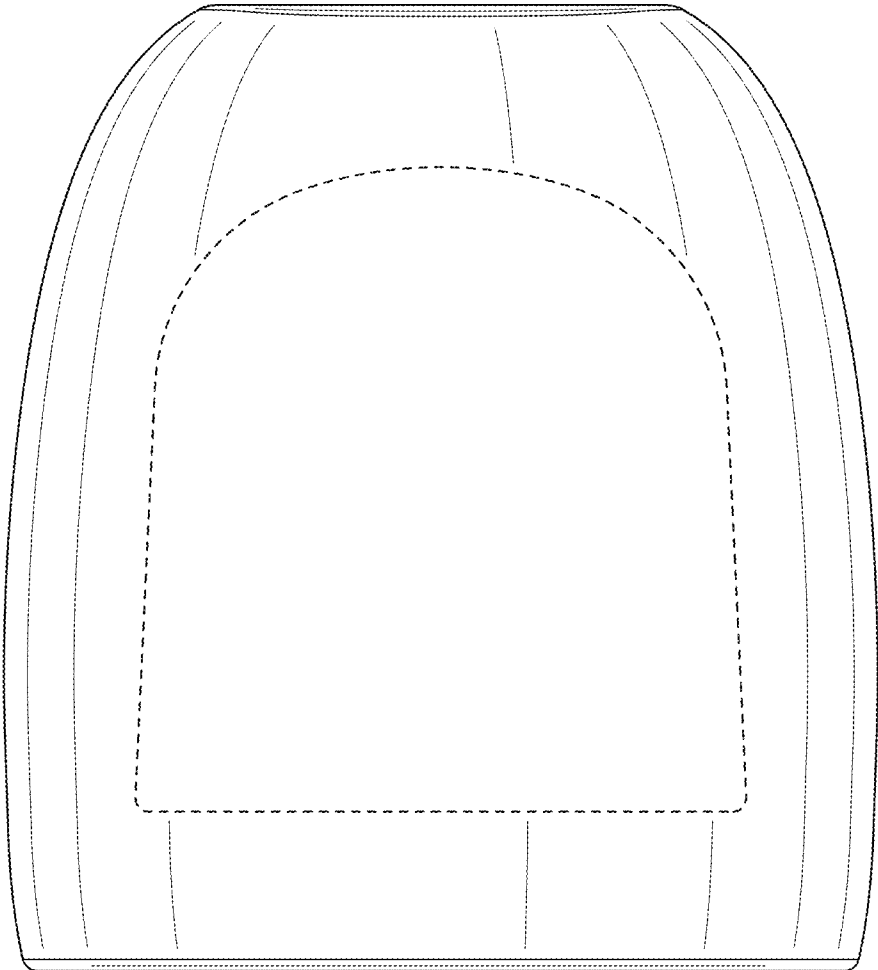


FIG. 2

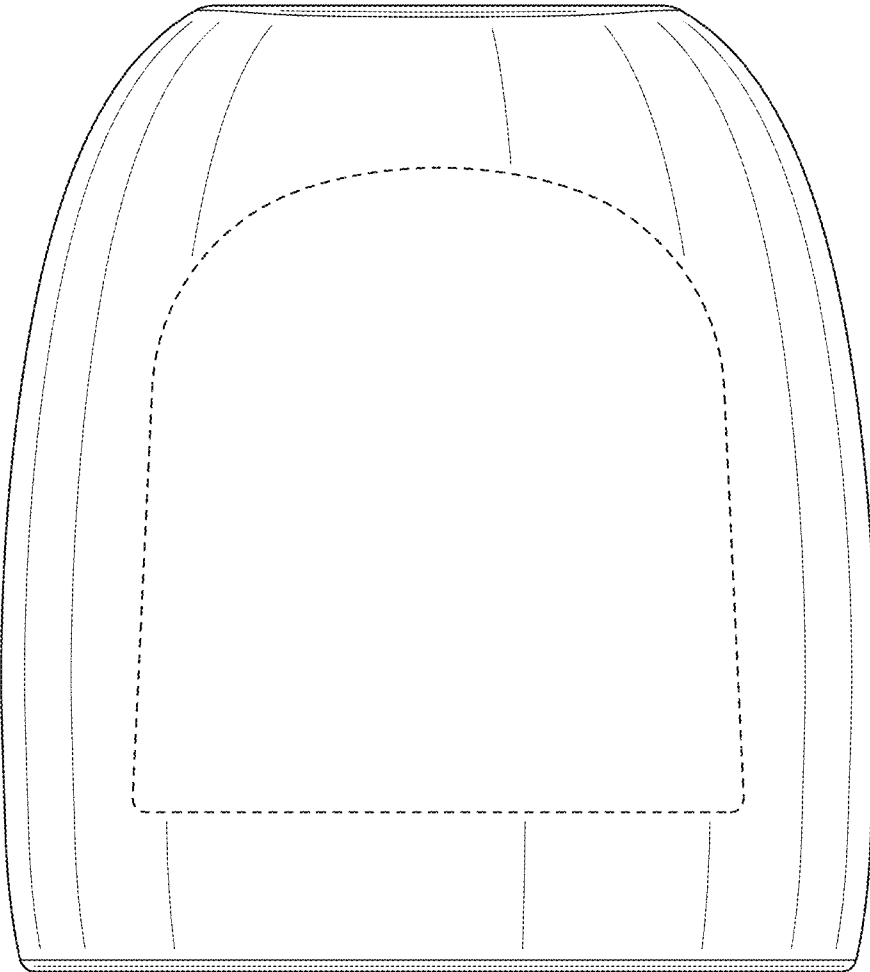


FIG. 3

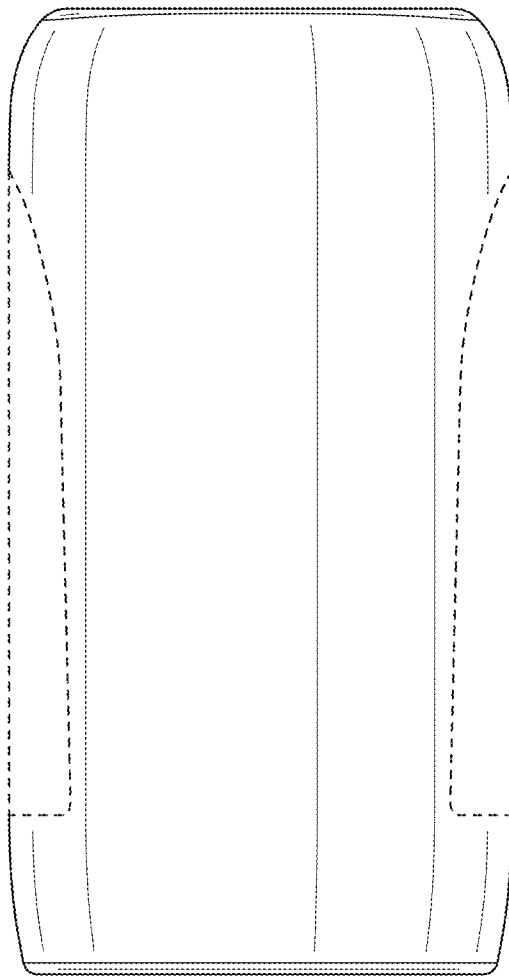


FIG. 4

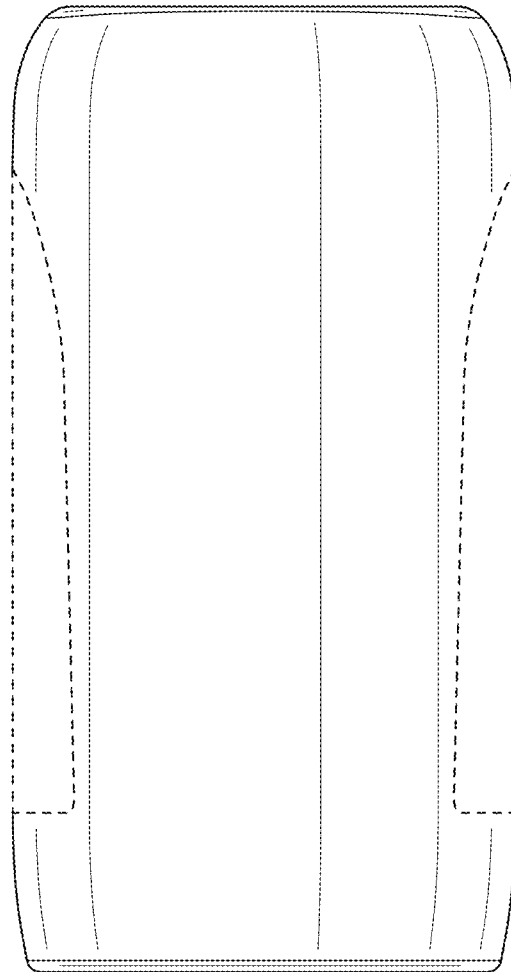


FIG. 5

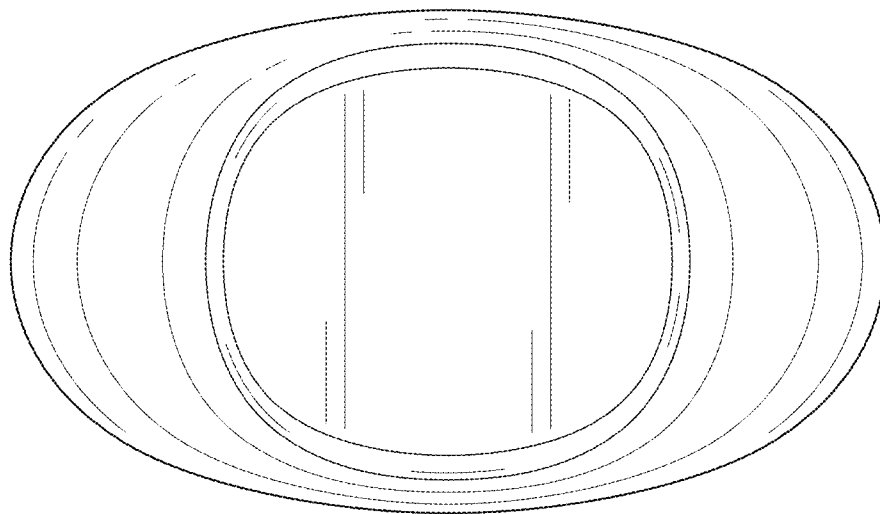


FIG. 6

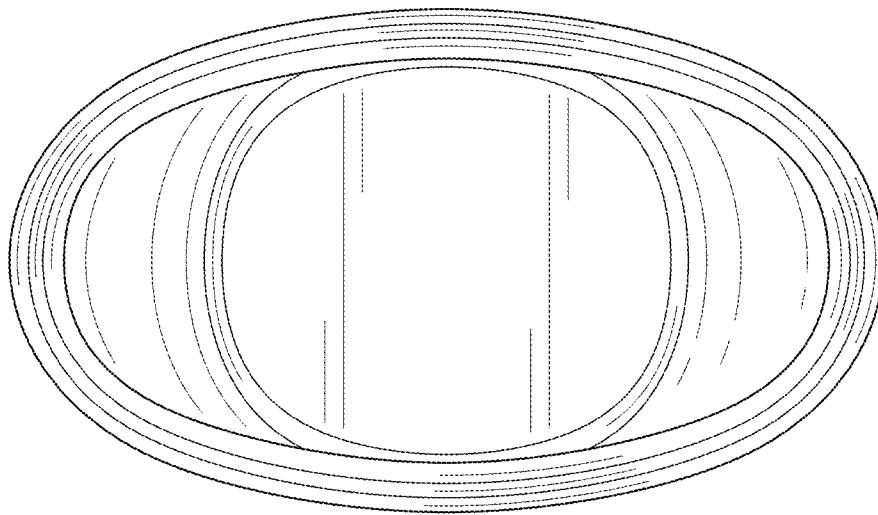


FIG. 7

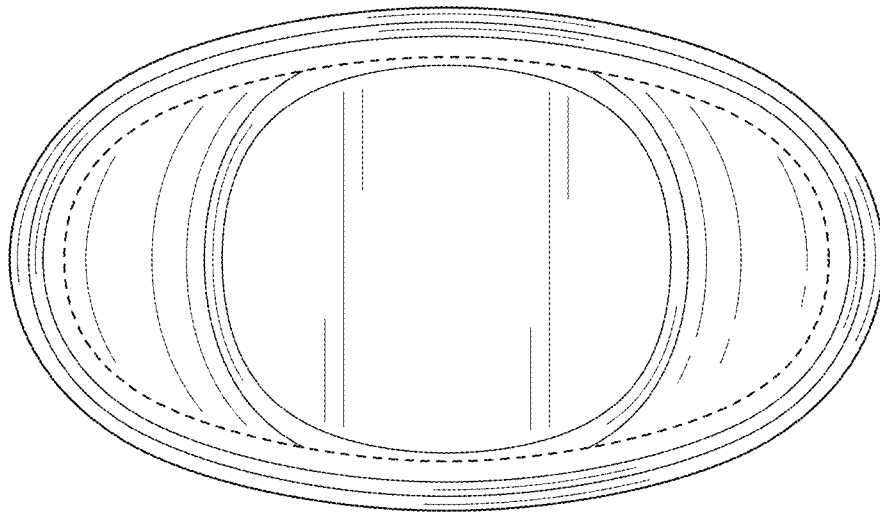


FIG. 8