



(12) **United States Design Patent**
Valentino et al.

(10) **Patent No.:** **US D790,051 S**
(45) **Date of Patent:** **** Jun. 20, 2017**

- (54) **FRAGRANCE DIFFUSER BULB**
- (71) Applicant: **Bath & Body Works Brand Management, Inc.**, Reynoldsburg, OH (US)
- (72) Inventors: **Heidi Valentino**, New York, NY (US); **Kathryn Ludwig**, Brooklyn, NY (US)
- (73) Assignee: **Bath & Body Works Brand Management, Inc.**, Reynoldsburg, OH (US)
- (**) Term: **15 Years**

(21) Appl. No.: **29/536,460**

(22) Filed: **Aug. 17, 2015**

(51) **LOC (10) Cl.** **28-99**

(52) **U.S. Cl.**
USPC **D23/366; D23/386**

(58) **Field of Classification Search**
 USPC D9/516, 519, 530, 538, 540–542, D9/544–546, 549, 551, 556, 558, 571, D9/715, 719, 682, 692; D28/5, 7; D27/162; D4/114, 116; D23/366, 385, D23/386
 CPC A24F 1/30; B65D 1/0223; B65D 13/02; B65D 11/04; B65D 1/0276; A47G 19/12; A47G 7/06

See application file for complete search history.

(56) **References Cited**

U.S. PATENT DOCUMENTS

D18,685 S *	10/1888	Atterbury	D9/519
D62,399 S *	5/1923	Javal	D9/556
D102,532 S *	12/1936	Vuilleminot	D28/91.1
D187,244 S *	2/1960	Morris	D9/556
D187,960 S *	5/1960	Marina	D9/546
D314,136 S	1/1991	Malvoisin		
D326,411 S *	5/1992	Wefler	D9/552

D336,036 S *	6/1993	Wacker	D9/544
D344,236 S	2/1994	Drounau		
D377,903 S *	2/1997	du Grenier	D7/598
D430,659 S	9/2000	Zaragoza et al.		
6,236,807 B1	5/2001	Ruffolo et al.		
D463,290 S	9/2002	Wiggins et al.		
D497,422 S	10/2004	Wirthman et al.		
D510,271 S	10/2005	Mero et al.		
D515,933 S	2/2006	Mero et al.		
D522,119 S	5/2006	Baraky et al.		
D530,210 S	10/2006	Chisholm		
D532,314 S	11/2006	Todd		

(Continued)

Primary Examiner — Ian Simmons

Assistant Examiner — Keith Frank

(74) *Attorney, Agent, or Firm* — Andrus Intellectual Property Law, LLP

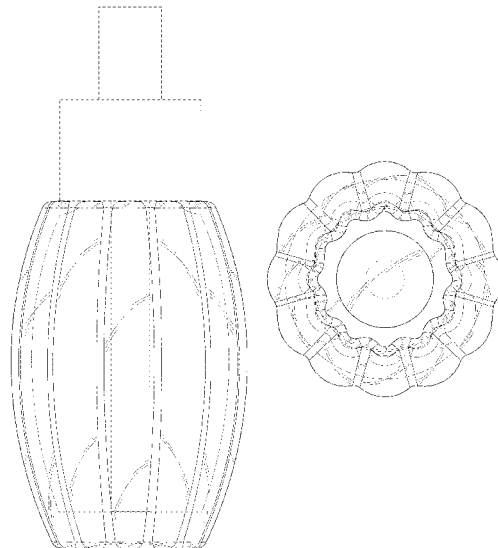
(57) **CLAIM**

The ornamental design for a fragrance diffuser bulb, as shown and described.

DESCRIPTION

FIG. 1 is a perspective view of our new and ornamental design for a fragrance diffuser bulb;
 FIG. 2 is a front elevation view thereof, wherein the rear elevation view is identical to the front elevation view;
 FIG. 3 is a left side elevation view thereof, wherein the right side elevation view is identical to the left side elevation view;
 FIG. 4 is a top view thereof;
 FIG. 5 is a bottom view thereof; and,
 FIG. 6 is a right side view thereof, showing the fragrance diffuser bulb in use with an electrical fragrance diffuser. The evenly dashed broken lines in FIGS. 1-6 illustrate portions of the fragrance diffuser bulb that form no part of the claimed design. The dash-dot-dash broken lines in FIG. 6 illustrate environmental subject matter of the fragrance diffuser bulb that forms no part of the claimed design.

1 Claim, 5 Drawing Sheets



(56)

References Cited

U.S. PATENT DOCUMENTS

7,228,981	B2	6/2007	Chisholm	
D553,504	S	10/2007	Goto et al.	
7,277,626	B2	10/2007	Pesu et al.	
D559,694	S	1/2008	Le Bras-Brown et al.	
D567,660	S *	4/2008	Gautier	D9/439
D583,038	S *	12/2008	Kay	D23/366
D603,709	S	11/2009	Lepoitevin	
RE41,055	E	12/2009	Choke-Arpornchai et al.	
D606,643	S *	12/2009	Butler	D23/366
D619,464	S	7/2010	Langley et al.	
D631,756	S *	2/2011	DeMarco	D9/691
D633,192	S *	2/2011	Valentino	D23/366
D642,923	S	8/2011	Newton	
D642,924	S	8/2011	Newton	
D643,296	S	8/2011	Newton	
D643,724	S *	8/2011	Donnelly	D9/435
D647,608	S	10/2011	Young et al.	
D649,478	S *	11/2011	Kim	D9/558
D657,040	S	4/2012	Young et al.	
D662,652	S *	6/2012	Browder	D26/134
8,301,019	B2	10/2012	Smith et al.	
D672,861	S *	12/2012	Adair	D23/366
D672,862	S *	12/2012	Adair	D23/366
D683,067	S *	5/2013	Wanders	D26/128
D686,721	S *	7/2013	Wirz	D23/366
D694,587	S	12/2013	Slocumb et al.	
D738,734	S	9/2015	Cripe et al.	
D742,234	S	11/2015	Cripe et al.	
D763,699	S *	8/2016	Rasgon	D9/556
D763,700	S *	8/2016	Rasgon	D9/519
D764,298	S *	8/2016	Gordon	D9/541

* cited by examiner

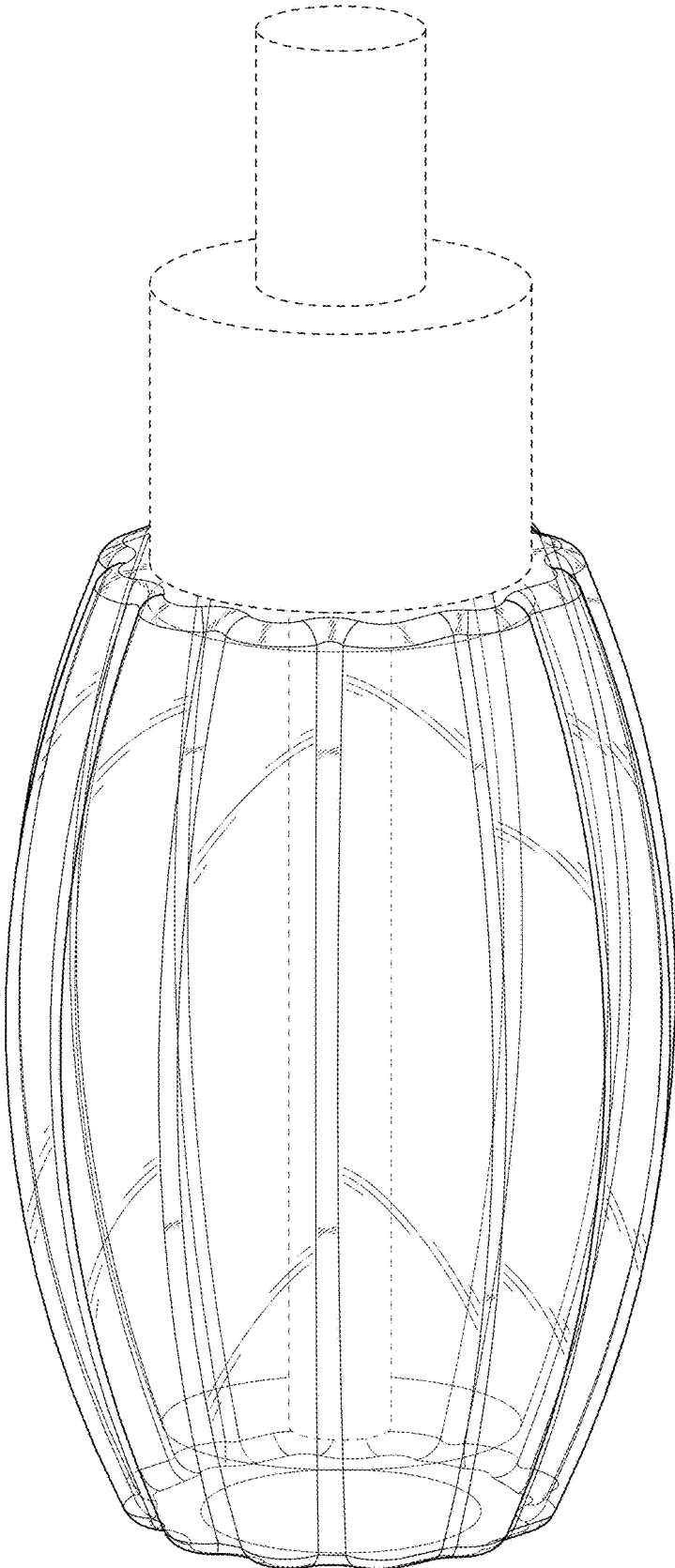


FIG. 1

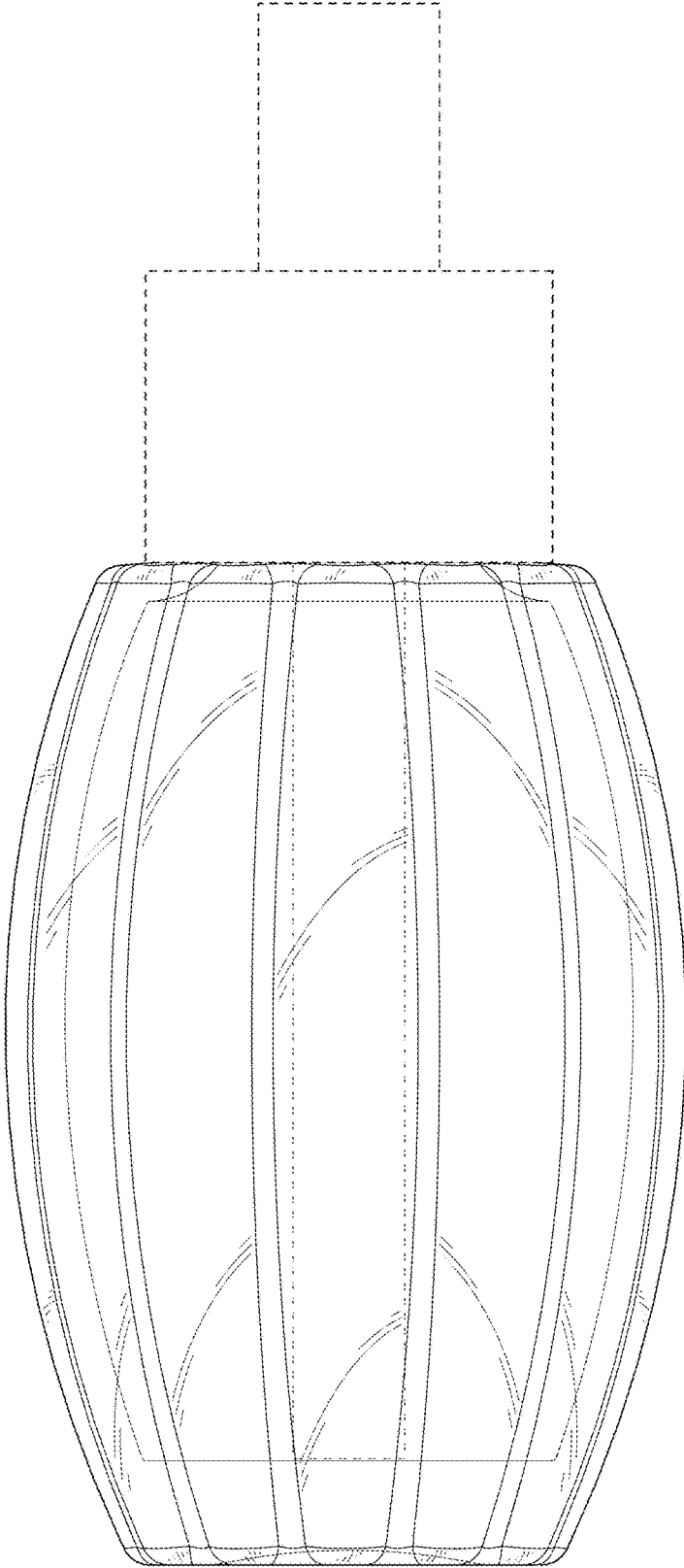


FIG. 2

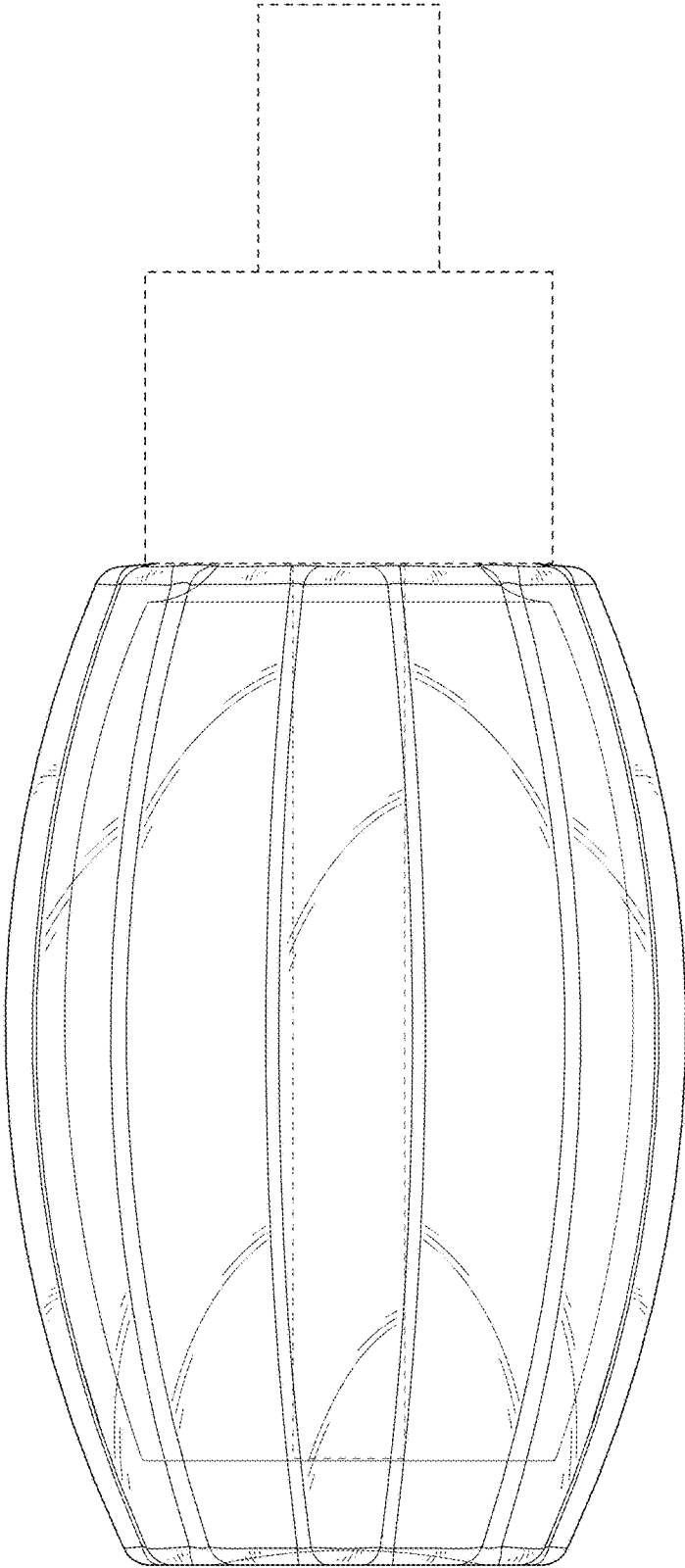


FIG. 3

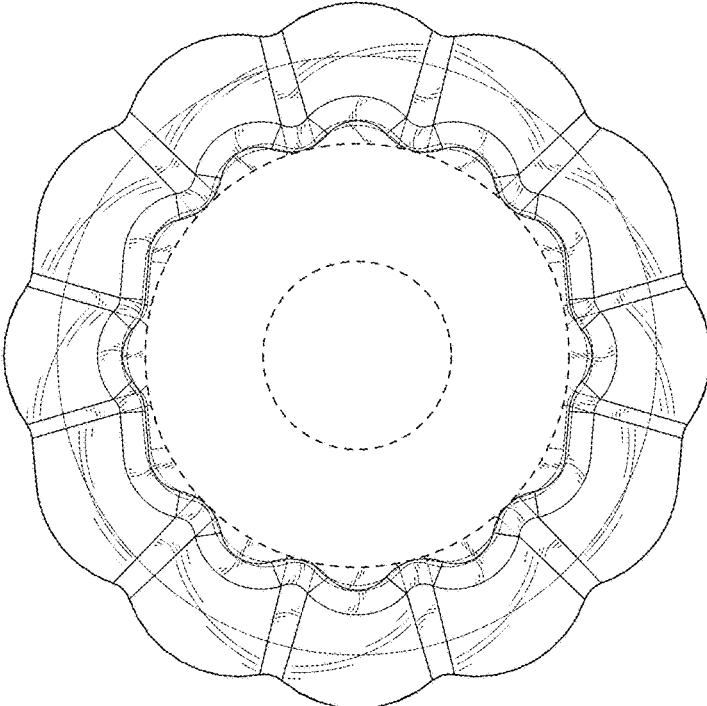


FIG. 4

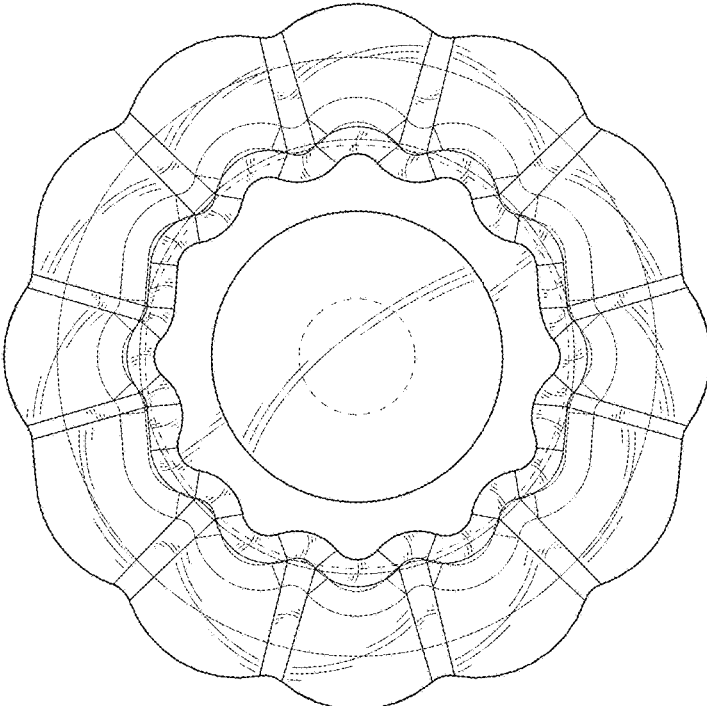


FIG. 5

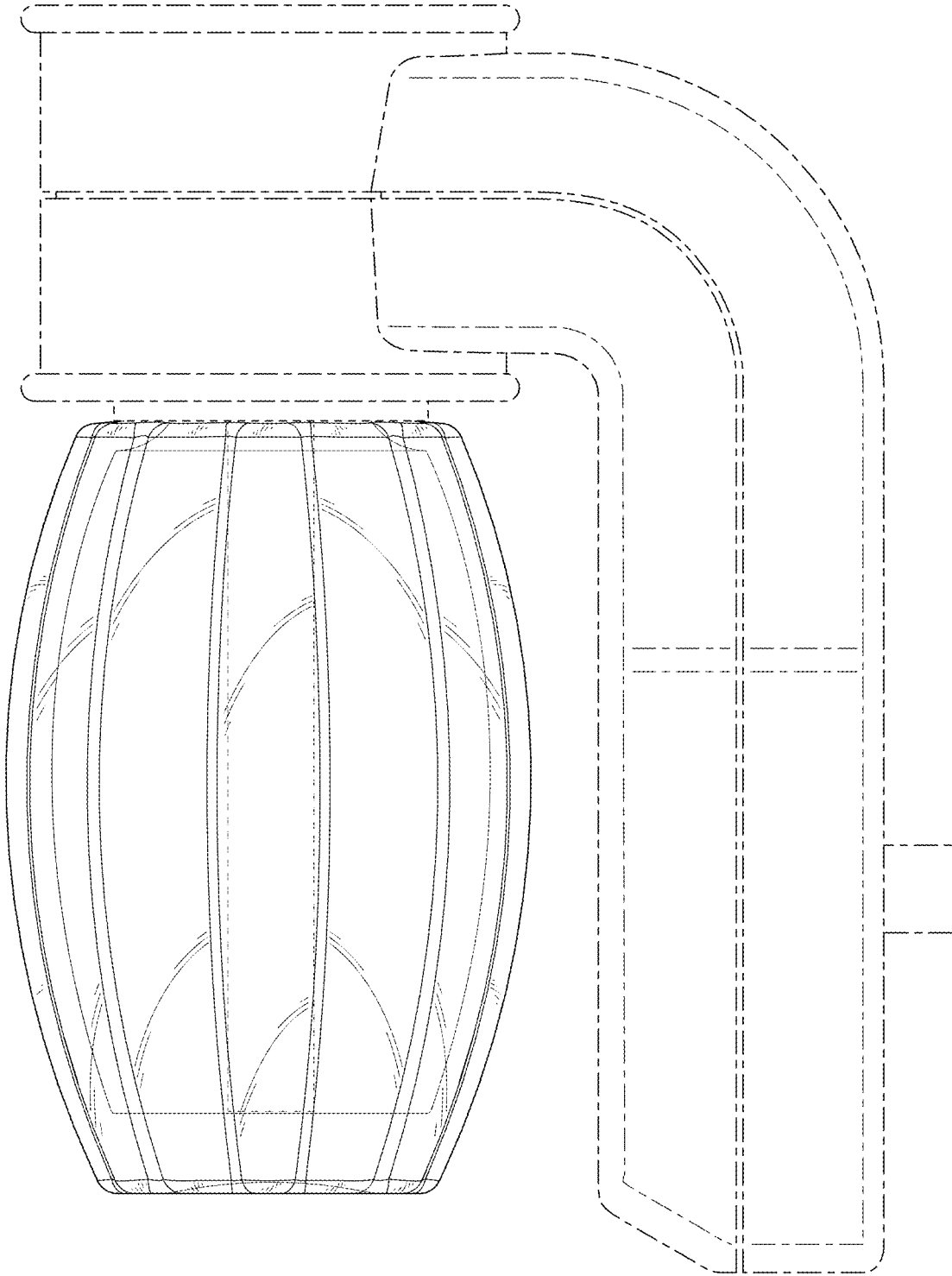


FIG. 6