



(12) **United States Design Patent**
Valentino et al.

(10) **Patent No.:** **US D816,203 S**
(45) **Date of Patent:** **** Apr. 24, 2018**

- (54) **FRAGRANCE DIFFUSER BULB**
- (71) Applicant: **Bath & Body Works Brand Management, Inc.**, Reynoldsburg, OH (US)
- (72) Inventors: **Heidi Valentino**, New York, NY (US); **Kathryn Ludwig**, Brooklyn, NY (US)
- (73) Assignee: **Bath & Body Works Brand Management, Inc.**, Reynoldsburg, OH (US)
- (**) Term: **15 Years**
- (21) Appl. No.: **29/598,522**
- (22) Filed: **Mar. 27, 2017**

1,605,778 A * 11/1926 Riley F21S 6/002
362/412
D82,481 S * 11/1930 Collins D26/153
D102,532 S 12/1936 Vuilleminot
D143,231 S * 12/1945 Mankki D11/154
D187,244 S 2/1960 Morris
D187,960 S 5/1960 Marina
(Continued)

OTHER PUBLICATIONS

ABA Packaging Corporation Catalog, ABA Packaging Corp.,
Holtsville, NY, 2004, p. 25.*
(Continued)

Primary Examiner — Ian Simmons
Assistant Examiner — Keith Frank
(74) *Attorney, Agent, or Firm* — Andrus Intellectual
Property Law, LLP

Related U.S. Application Data

- (62) Division of application No. 29/536,460, filed on Aug. 17, 2015, now Pat. No. Des. 790,051.
- (51) **LOC (11) Cl.** **28-99**
- (52) **U.S. Cl.**
USPC **D23/366; D23/386**
- (58) **Field of Classification Search**
USPC D9/500, 516, 519, 530, 538, 540-542,
D9/544-546, 549, 551, 556, 558, 571,
D9/715, 719; D28/5, 7; D27/162;
D4/114, 116; D23/366, 385, 386;
D99/5; D11/152, 153; D26/2
CPC A24F 1/30; B65D 1/0223; B65D 13/02;
B65D 11/04; B65D 1/0276; A47G 19/12;
A47G 7/06
See application file for complete search history.

(57) **CLAIM**

The ornamental design for a fragrance diffuser bulb, as shown and described.

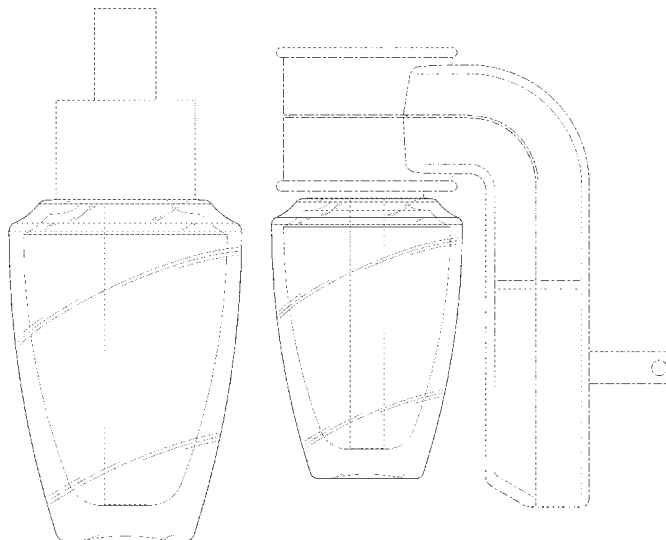
DESCRIPTION

FIG. 1 is a perspective view of our new and ornamental design for a fragrance diffuser bulb;
FIG. 2 is a front elevation view thereof, wherein the rear elevation view, the left side elevation view, and the right side elevation view are identical to the front elevation view;
FIG. 3 is a top view thereof;
FIG. 4 is a bottom view thereof; and,
FIG. 5 is a right side view thereof, showing the fragrance diffuser bulb in use with an electrical fragrance diffuser.
The evenly dashed broken lines in FIGS. 1-5 illustrate portions of the fragrance diffuser bulb that form no part of the claimed design. The dash-dot-dash broken lines in FIG. 5 illustrate environmental subject matter of the fragrance diffuser bulb that forms no part of the claimed design.

(56) **References Cited**
U.S. PATENT DOCUMENTS

D18,685 S 10/1888 Atterbury
D62,399 S 5/1923 Javal

1 Claim, 4 Drawing Sheets



(56)

References Cited

U.S. PATENT DOCUMENTS

3,524,280 A * 8/1970 McKinnon A47G 7/06
 220/660
 3,965,902 A * 6/1976 Reilly A61M 1/0001
 141/59
 D283,596 S * 4/1986 Fortuna D7/510
 D289,559 S * 4/1987 Manton D26/110
 D314,136 S 1/1991 Malvoisin
 D326,411 S 5/1992 Wefler
 D336,036 S 6/1993 Wacker
 D344,236 S 2/1994 Drouneau
 D362,187 S * 9/1995 Thompson D9/500
 D362,646 S * 9/1995 Rahr D11/152
 D377,903 S 2/1997 Grenier et al.
 D389,944 S * 1/1998 Hutton D26/110
 D400,442 S * 11/1998 Nosella D9/500
 D430,659 S 9/2000 Zaragoza et al.
 6,236,807 B1 5/2001 Ruffolo et al.
 D463,290 S 9/2002 Wiggins et al.
 D497,422 S 10/2004 Wirthman et al.
 D498,780 S 11/2004 Su et al.
 D510,271 S 10/2005 Mero et al.
 D515,933 S 2/2006 Mero et al.
 D522,119 S 5/2006 Baraky et al.
 D530,210 S 10/2006 Chisholm
 D532,314 S 11/2006 Todd
 7,228,981 B2 6/2007 Chisholm
 D553,504 S 10/2007 Goto et al.
 7,277,626 B2 10/2007 Pesu et al.
 D559,694 S 1/2008 Le Bras-Brown et al.
 D567,660 S 4/2008 Gautier
 D583,038 S 12/2008 Kay et al.
 D588,252 S * 3/2009 Conway D11/152
 D603,709 S 11/2009 Lepoitevin
 RE41,055 E 12/2009 Choke-arpornchai et al.
 D606,643 S 12/2009 Butler et al.
 D619,464 S 7/2010 Langley et al.
 D631,355 S * 1/2011 Barsoumian D9/500
 D631,356 S * 1/2011 Barsoumian D9/500
 D631,756 S * 2/2011 DeMarco D9/691
 D633,192 S 2/2011 Valentino et al.
 D642,923 S 8/2011 Newton

D642,924 S 8/2011 Newton
 D643,296 S 8/2011 Newton
 D643,724 S 8/2011 Donnelly et al.
 D647,608 S 10/2011 Young et al.
 D649,478 S 11/2011 Kim
 D656,681 S 3/2012 Reisler
 D657,040 S 4/2012 Young et al.
 D662,652 S 6/2012 Browder
 8,301,019 B2 10/2012 Smith et al.
 D672,861 S 12/2012 Adair et al.
 D672,862 S 12/2012 Adair et al.
 D683,067 S 5/2013 Wanders
 D686,721 S 7/2013 Wirz
 D694,587 S 12/2013 Slocumb et al.
 D718,182 S * 11/2014 Woltz D11/145
 D730,189 S * 5/2015 Haile D4/116
 D731,916 S * 6/2015 Kasha A47G 7/06
 D11/153
 D738,734 S 9/2015 Cripe et al.
 D738,779 S * 9/2015 Kasha A47G 7/06
 D11/153
 D742,234 S 11/2015 Cripe et al.
 D747,967 S * 1/2016 Lozano Domenech D9/500
 D763,699 S 8/2016 Rasgon
 D763,700 S 8/2016 Rasgon
 D764,298 S 8/2016 Gordon et al.

OTHER PUBLICATIONS

Shany Cosmetics, "The Cosmopolitan Nail Polish Set", web page, available at least as early as Sep. 19, 2012, available at <https://www.amazon.com/SHANY-Cosmetics-Cosmopolitan-Premium-Quality/dp/B005X2F7JY>, last accessed Oct. 23, 2017.
 ABA Packaging Corporation, product catalog, pp. 2-37 and 50-53, download available via <http://www.abapackaging.com/mailling-list.html>, last accessed Oct. 19, 2017.
 ABA Packaging Corporation, Renee Bottle, archived web page from Aug. 21, 2004, available at <https://www.web.archive.org/web/20040821071345/http://www.abapackaging.com:80/renee.htm>.
 Bath & Body Works, Wallflower Bulb, available at least as early as Aug. 16, 2014.

* cited by examiner

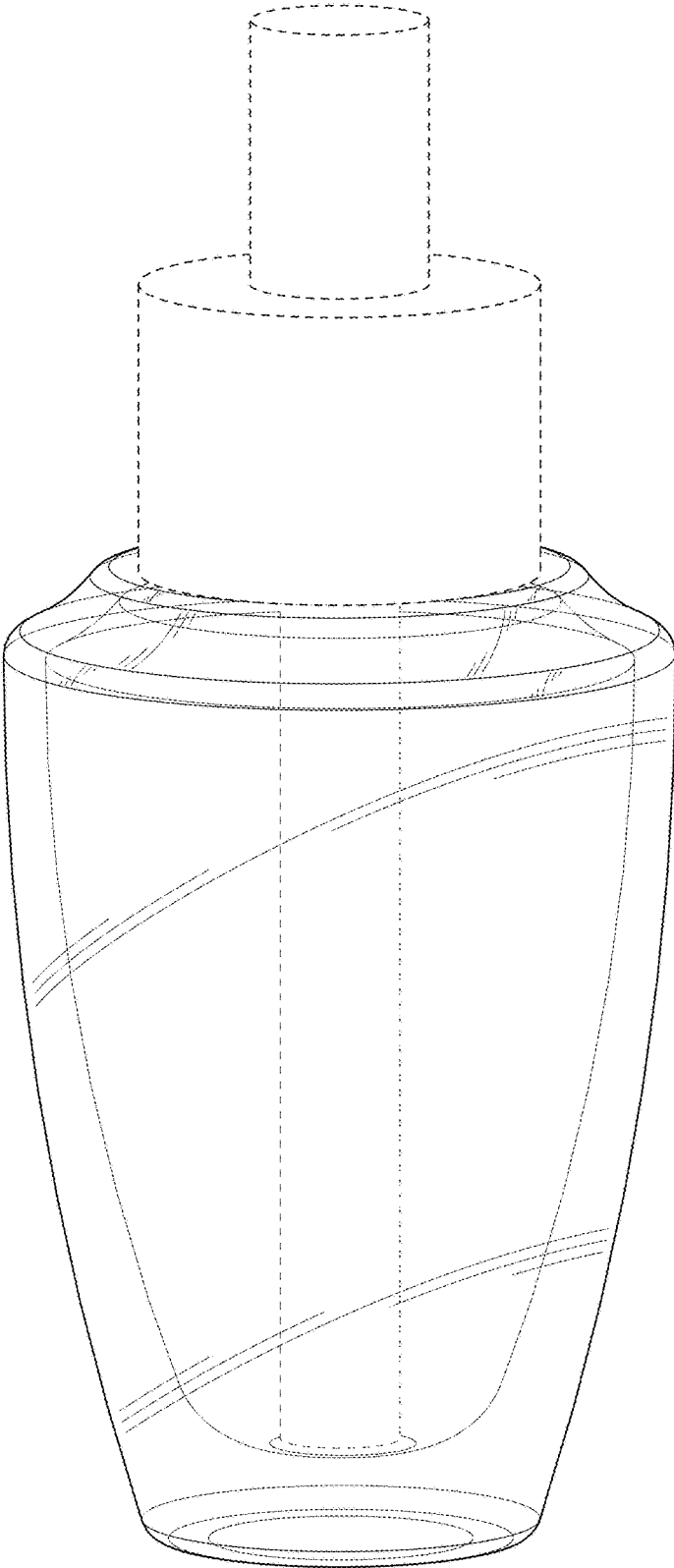


FIG. 1

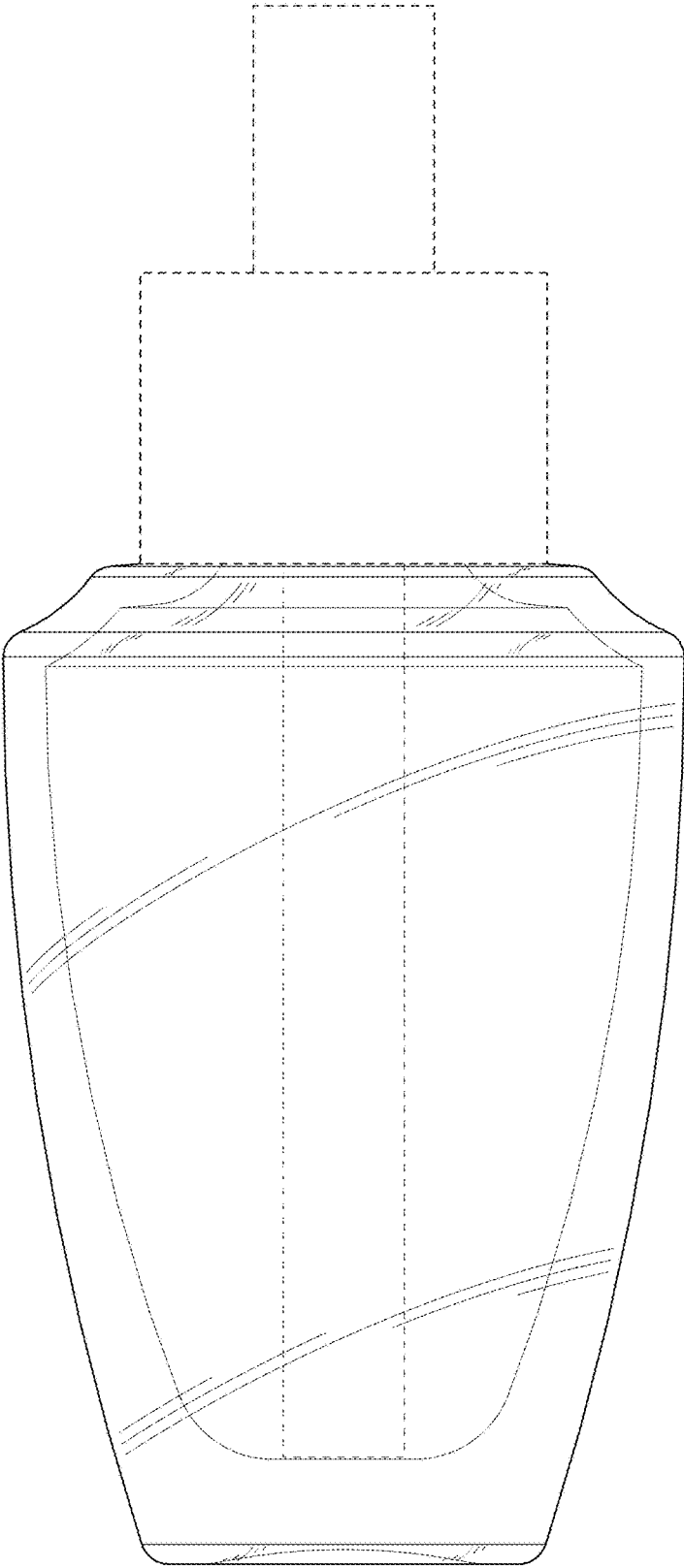


FIG. 2

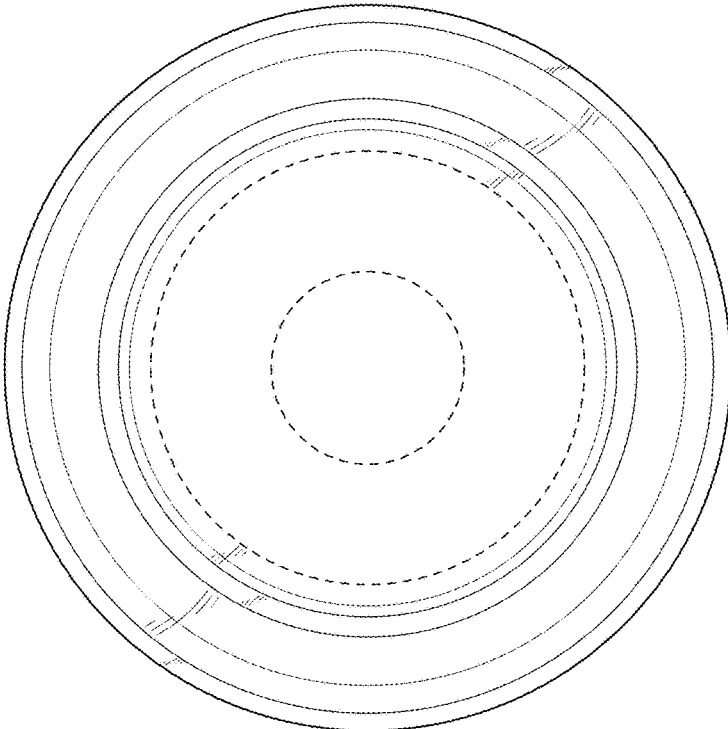


FIG. 3

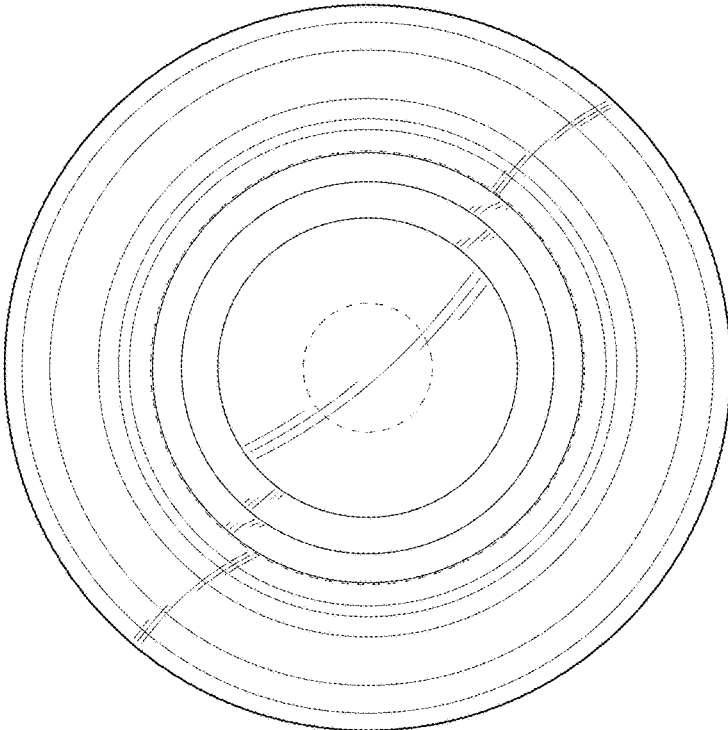


FIG. 4

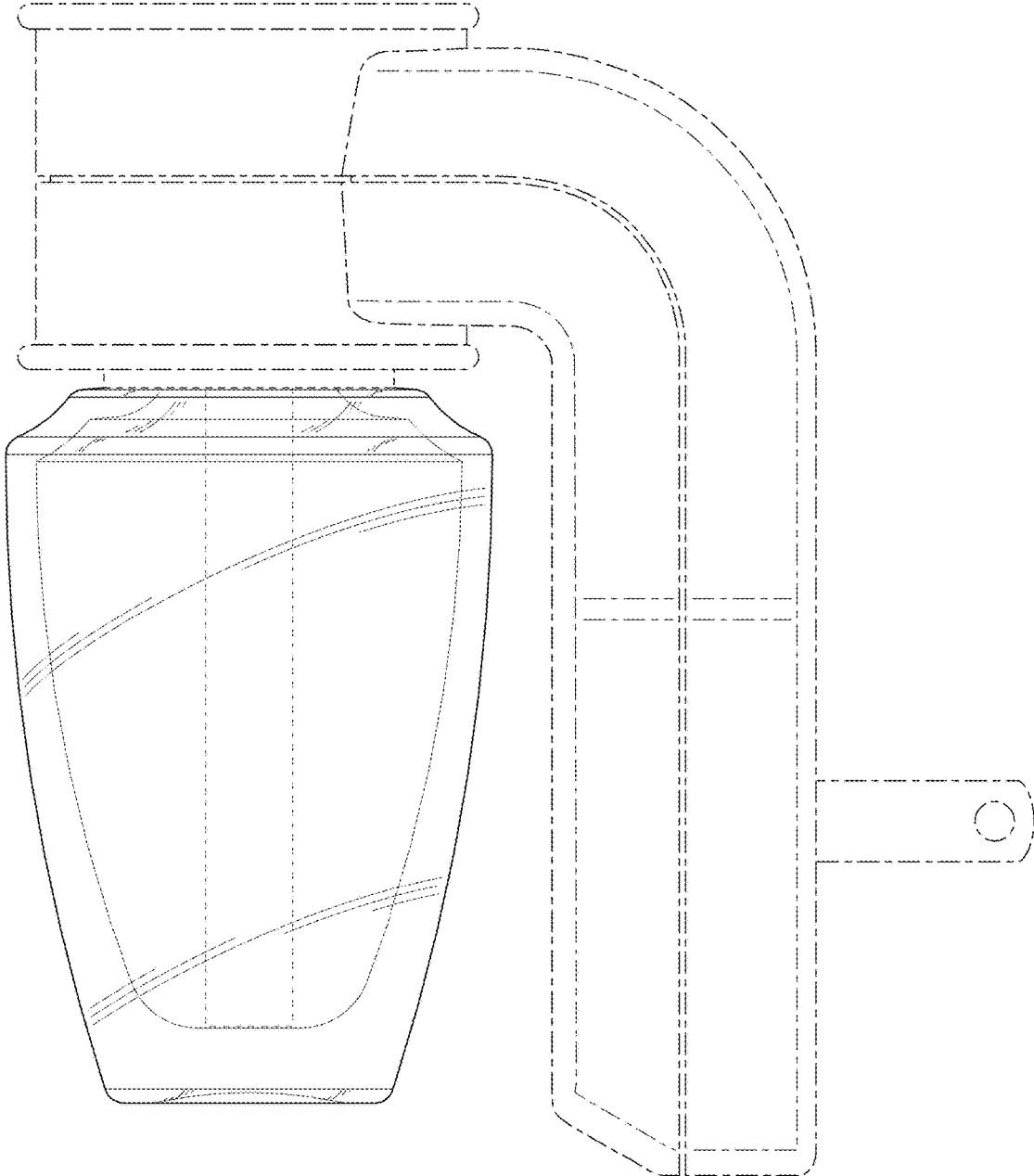


FIG. 5